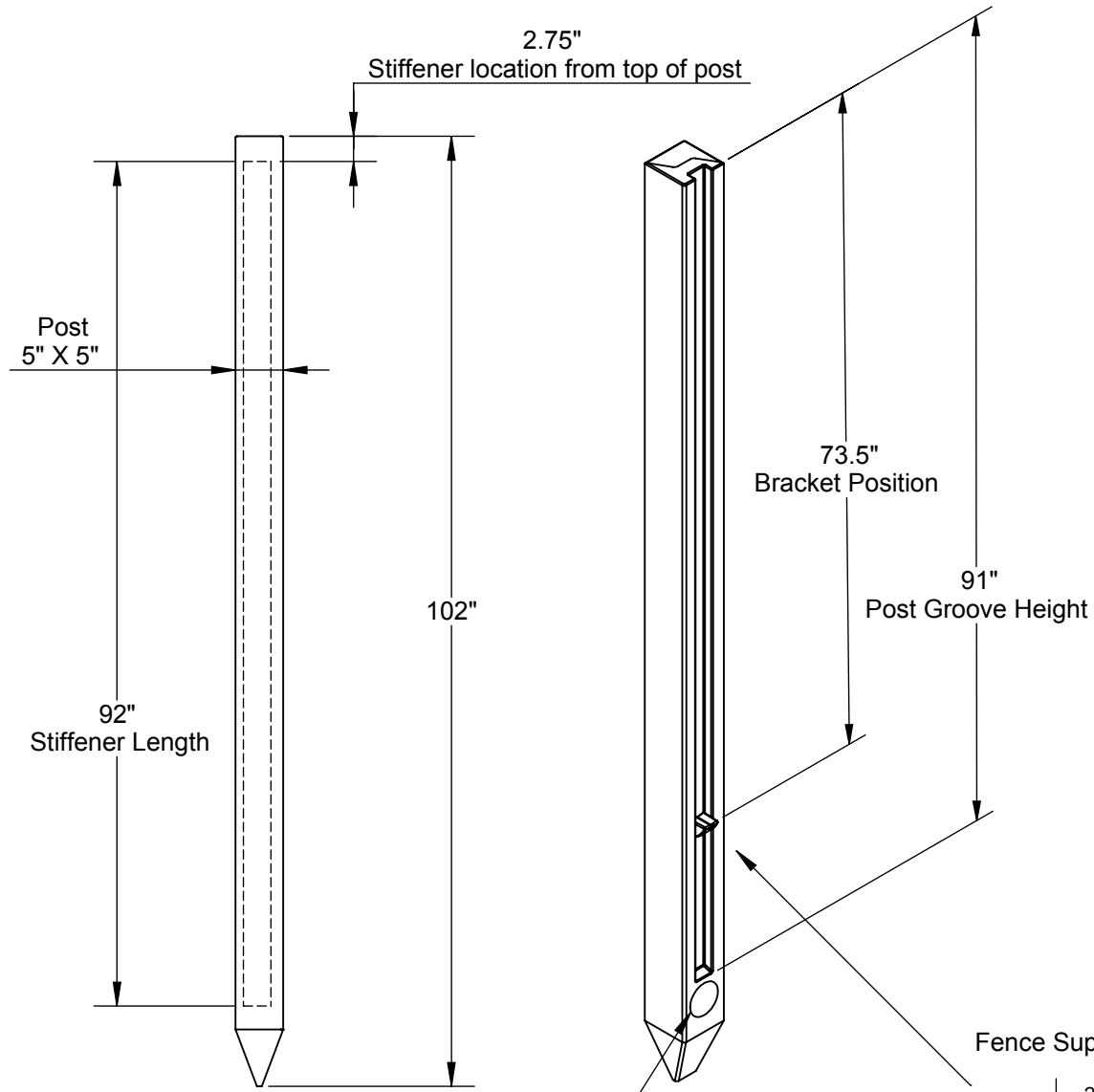
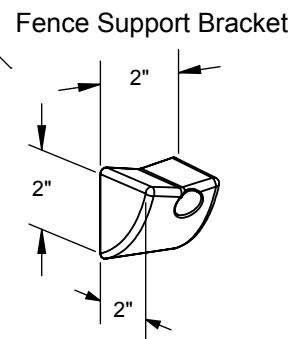
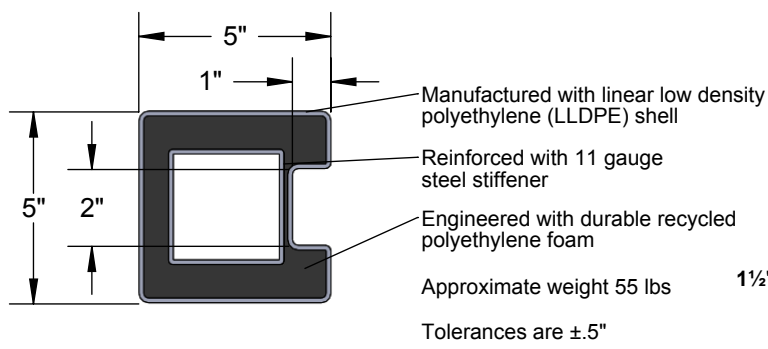


8.5' Gate Post Specification



Gate Post Cutaway



- Made with polypropylene copolymer plastic
- Triangulated shape for improved load distribution
- Zinc plated 1.5" self tapping screw and one bracket included per groove



Model #:GP102	This drawing may not be altered or reproduced without the permission of SimTek [™] Fence		 www.simtekfence.com
Date: Oct 15, 2013	Scale: not to scale	REV: D Barlocker	
Sheet 1 of 1	U.S. Patents: 7,478,797 / 7,635,114 Foreign Patents Pending		