

MORTARLESS COLUMN



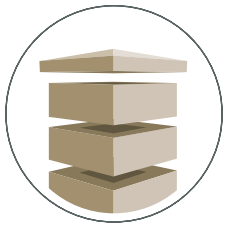
INSTALLATION GUIDE

FREESTANDING
STONE COLUMN

Poly Vinyl Creations - Your Distributor of Choice for Vinyl, Steel, and Aluminum Products

www.polyvinylc.com
marketing@polyvinylc.com
Corporate: 800-780-3362
Branch (GA, AL, TN, LA): 877-68-FENCE
Branch (NC, SC, VA): 888-PVC-FENCE

Beauty made simple.



MORTARLESS COLUMN MODULAR STACKING SYSTEM

Freestanding Stone Column Installation

Once you have completed the **Before You Begin** and **Before Construction** requirements below, you may construct your column on level or uneven ground by following these instructions:

Before You Begin

To maintain the column's functionality and safety, and ultimately the safety of yourself and others, it is imperative the following be considered before installation:

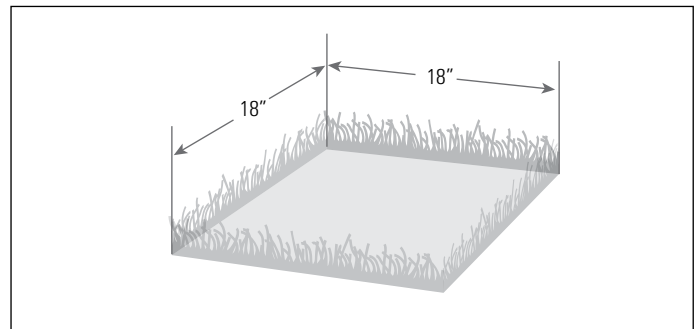
- Ply Gem Stone Columns are designed to fit snugly onto, and should only be used with, one of the following:
 - 5" X 5" rigid PVC post with a minimum thickness of 0.132" OR
 - 5" X 5" solid aluminum, steel or wood post.
- The foam core of the Ply Gem Stone Columns should not be altered in any way before or during installation.
- Posts must be installed correctly and permanently cemented into solid ground.
- The maximum height of a Ply Gem Stone Column is 13 segments plus the column's cap or a total height of 76.9" (including the cap). Stones may be stacked higher providing the top of the center post is attached to a structure, such as a deck or porch roof.
- Read all instructions before beginning construction.

Before Construction

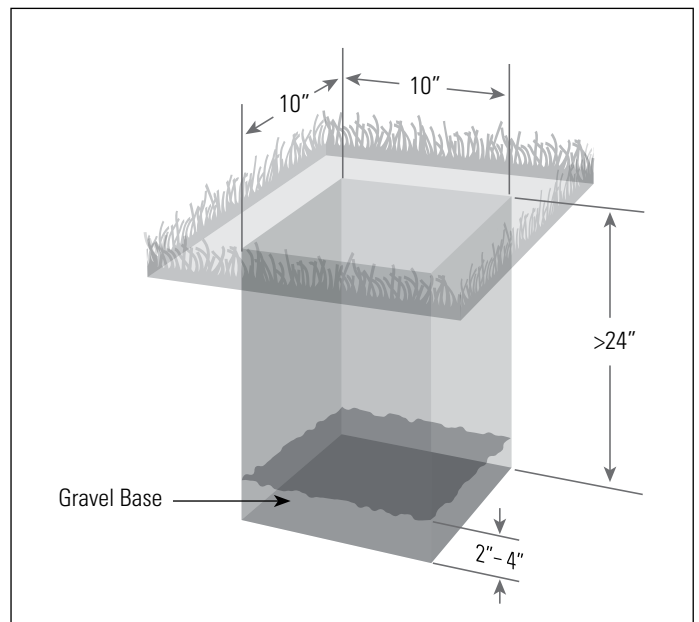
The overall layout of your project must be considered before constructing the column. Take into account soil condition, slope, property lines, utility locations, electrical connections and local ordinances before beginning. After doing so, stake out the location for each column using string and stakes to assure any corners or sections are square.

PREPARE THE HOLE

1. Remove and discard an 18" X 18" square of sod and/or grass roots from the solid ground where you wish to install your column.

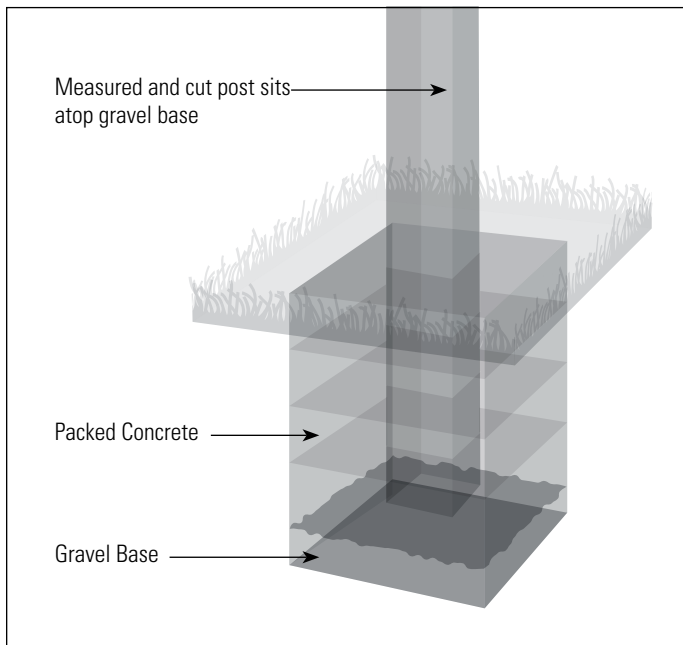


2. Dig or auger a hole with a 10" diameter in the center of this square. Dig or auger it to a depth of at least 24" from the lowest side. Depending on your location, it may be necessary to dig the hole deeper than 24" to get below the frost line.
3. Pour 2" to 4" of gravel into the bottom of the hole.



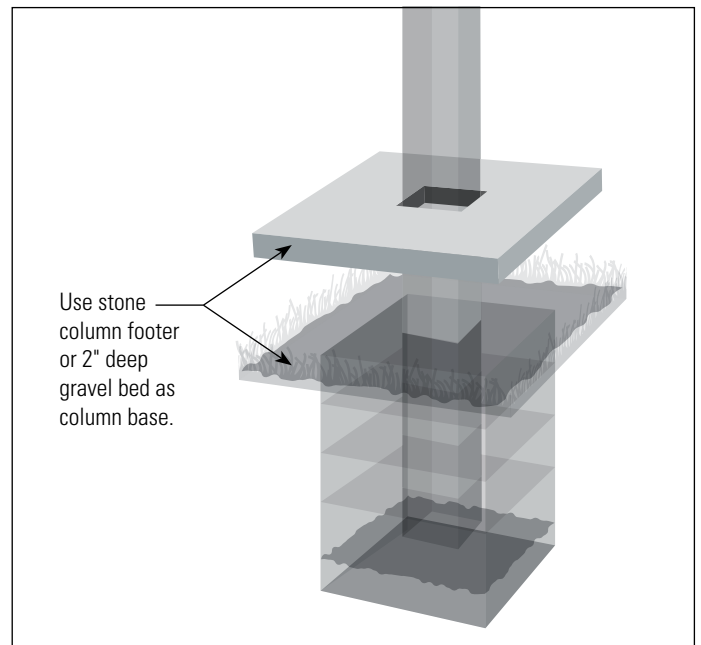
SETTING THE POST

4. Set the 5" X 5" PVC post in the center of the hole. Measure, mark and cut to the appropriate height. For a 13 segment column with cap, the post should extend 76" above ground level. (If underground electrical connections are planned, the post should be prepared according to local regulations at this time.)
5. Center the measured and cut PVC post in the hole atop the gravel base.
6. By following the manufacturer's instructions, prepare enough concrete mix to fill the hole to where the 18" X 18" square begins.
7. Start pouring the concrete into the hole 6" at a time, packing it down while assuring the post is correctly positioned in the planned installation, standing square and completely vertical (use a plumb line). Do this until the hole is filled.
8. Allow the concrete to set for 24 to 48 hours before continuing.



INSTALLING COLUMN SECTIONS

9. Once the concrete has set, place and level 2" of gravel or lift a pre-cast Stone Column Footer (item number 7551493) onto the post and lower it into the 18" X 18" square, tamping it level with the post.
 - a. If using the Footer, apply thin beads of LockTite PL™ Premium adhesive on the surface of the footer 2.5" from the outer edge the edge. (Make sure not to apply adhesive within 2.25" of the edges, otherwise adhesive may show from the exterior once the column sections are stacked.) Then lift the first column section above the PVC post and lower it onto the footer.
 - b. If using gravel, simply lift the first segment above the post and lower it onto the gravel. Then tamp it gently to level.
10. Apply a thin bead of adhesive to the top surface of each column section .75" from the outer edges (do not apply within .75" of the edges otherwise adhesive may



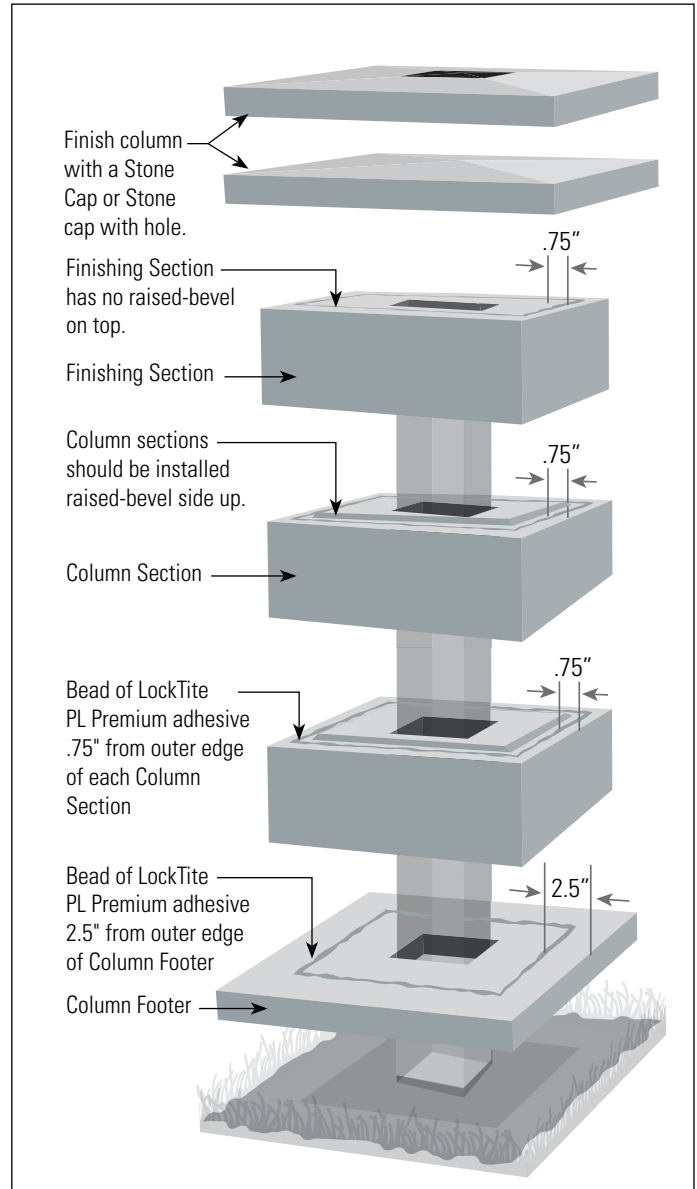
FREESTANDING COLUMN CONTINUED

show from the exterior once the column sections are stacked). NOTE: The top of the stone sections have a raised bevel designed to rest in the beveled indent at the bottom of the next stone section.

11. Once adhesive is applied, lower the Stone Column sections over the post and into place until the desired column height is achieved.
12. If additional length needs to be cut from the PVC post, stop a few column segments early and allow the adhesive to fully cure (see LockTite PL™ Premium adhesive directions). Then cut the post to the necessary height and continue installing the column segments.
13. Apply adhesive to the final column segment then finish the column by applying either a Ply Gem Stone Cap or Stone Cap with Hole. (If applicable, finish any electrical connections according to appropriate codes and manufacturer's directions.)

ATTACHMENTS TO FREESTANDING COLUMNS

Ply Gem does not recommend or specifically warrant Stone Columns for side attachments of any type. However, if you decide to attach light weight objects to Ply Gem Stone Columns at your own risk, it is important for your safety to wait 24 to 48 hours after the concrete securing the post has set before making such adjustments. It is also important to allow the adhesive between the column sections to fully cure before attaching anything to Ply Gem Stone Columns.



Because Ply Gem Stone is crafted to mirror nature's most sincere variations, inconsistencies in stone hue and texture can be expected. Every effort has been made to ensure the stone colors on our printed and online materials are as close to the actual stone as possible. However, please be advised, photography, printing, and viewing conditions may alter perception of color. Consult your distributor or sales representative for product samples. Ply Gem reserves the right to alter, modify, or delete items from time to time without notice.



© 2014 Ply Gem Stone. Ply Gem Stone, Ply Gem, and the "Natural Perfection in a Hand-Crafted Stone Veneer" slogan are trademarks of Ply Gem Industries, Inc. and/or its subsidiaries. All products made in the U.S.A. 8111145161101/BT/CG/1214



Explore our complete line of exterior building products

Ask us about other Ply Gem exterior building products. In addition to Ply Gem Stone, Ply Gem provides a comprehensive line of siding, fence, trim, designer accents, roofing, windows and doors. Everything you need to create stylish, low maintenance exteriors.



SIDING WINDOWS DOORS STONE TRIM ROOFING FENCE RAILING

