



# INSTALLATION GUIDE

## 8' HIGH WALLS



## INSTALLATION GUIDE

These instructions are designed to assist both professional installers and do-it-yourselfers of SimTek™ decorative rock-walls. These instructions are detailed to insure an excellent finished wall.

A quality finished wall is a result of a quality installation. The layout must be consistent with ground contours; posts must be appropriately spaced and properly anchored. Follow SimTek™ installation instructions carefully and your wall will be both structurally correct and a beautiful addition to your project or property.

Before any installation, check all local regulations regarding fencing, location of all buried utility lines, and correct property lines. Be certain that you are in compliance with all local codes, permits, county and state laws. Ensure that you have all the components needed to complete your fence configuration.

## TOOLS NEEDED

**Tape Measure**

**Level**

**Auger or Post Hole Digger**

**Shovel**

**Power Drill**

**Circular Saw**

**Concrete**

**Spray Paint**

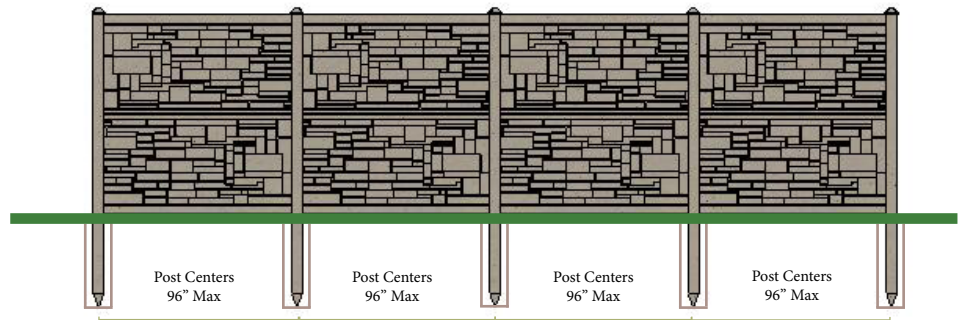
**Mallet or Hammer**

**Fence String**



## Step 1: Lay Out Fence Line

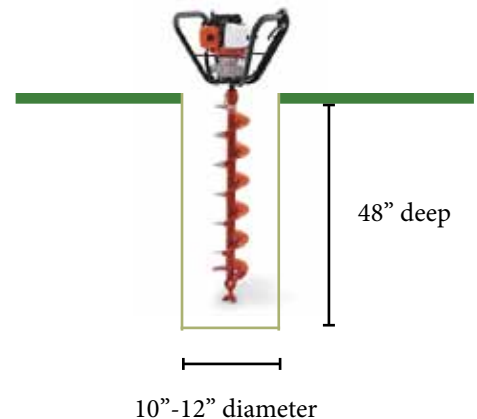
1. Locate your property line and stretch a string between stakes from the beginning to the end of the fence to ensure posts will be set on a straight line.
2. Beginning at the end post, mark the location of the post. Dig a hole for each post. Make sure that your post holes are 96" on center.
3. Make sure that you are in compliance with all local codes, federal county and state fencing laws where applicable.



For detailed specifications visit our website at: [www.polyvinylc.com](http://www.polyvinylc.com)

## Step 2: Digging Holes

1. If a laser is available, it will be an excellent tool to assist in determining grade and slope.
2. For a level ground installation, begin at a corner or an end post. This will give you a good starting point. If there is a slope, it is easier to begin at the top and work your way down hill.
3. Dig all post holes 10" - 12" diameter by 46" - 48" deep in the ground. Make sure to check local building codes to ensure required depths and diameters are met.
4. Holes must be 96" apart, center to center. It is essential that the panel stiffener touches post to post. The panel stiffener is wider than the panel to accommodate panel thermal expansion. **DO NOT CUT THE STIFFENER UNLESS THE PANEL IS BEING CUT SHORTER.**

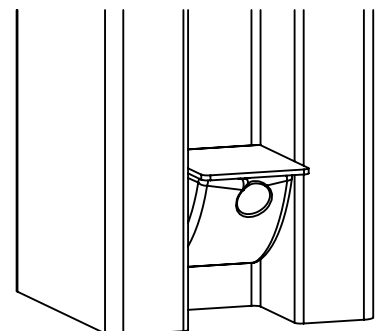


## Step 3: Installing Fence Brackets

If posts are to be installed in level ground, attaching brackets in advance of post installation is easiest when using a measuring template for faster repetitive bracket installation. It is easier to change a bracket in the field if necessary than to install brackets once posts are installed in the ground. Installed brackets provide a leveling point on each post.

Tip

Note: Brackets come packaged at the tip of the post during shipping. They must be removed and reattached in the channel of the post at the desired height during installation.



## Step 4: Setting Posts

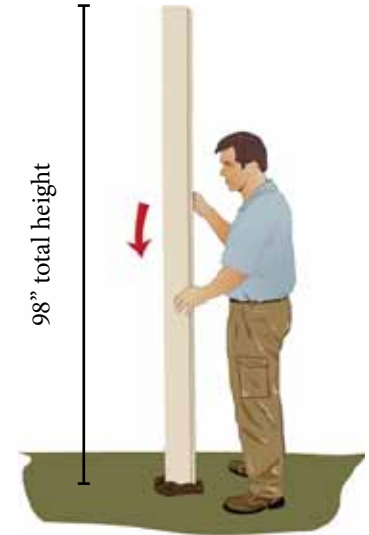
1. Set a post in the hole with concrete. Using a mallet or hammer, tap the post into the concrete until the top of the post meets the desired height.
2. Fill the remainder of the hole with concrete. Using a level, check two adjacent sides of the post. Two-way levels are useful. Adjust the post until it is both vertical and at the correct height.
3. If using a wet mix method, first place the post in the hole in the approximate position at the bottom of the hole. Pour the concrete in the hole, positioning the post as soon as it is feasible.
4. Using the steel stiffener out of the panel, which is exactly 95" for the eight foot wall, as a spacer, set the next post the same as the first.
5. Do not move the post which is now in position. Leave the panel stiffener spacer in place for one hour minimum, as concrete begins to cure, to keep the posts from moving. Set 3 to 4 posts with panel stiffeners as spacers, then advance them one at a time, by moving the first spacer placed.

Allow the concrete to cure for a minimum of 24 to 48 hours.

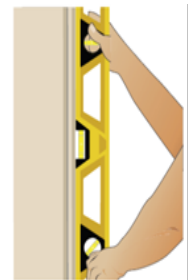
6. For a complete step-by-step installation video, visit our website at: <http://www.simtekfence.com/product-information> or for personalized assistance call our customer service line at 1-866-648-9336.

Tip

Note: All SimTek posts are reinforced with 11 gauge steel. If posts need to be cut, we suggest cutting them at the bottom. DO NOT cut the top of the post.



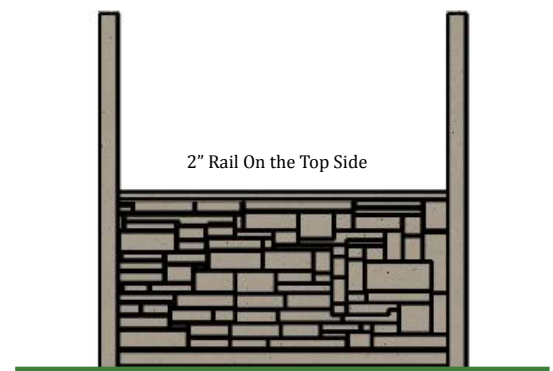
Note: Make sure post is straight, plumb, and evenly spaced



## Step 5: Installing Fence Panels

1. Panel support brackets must be attached to all posts.
2. Be certain steel stiffeners are inserted in the top and bottom rails of each panel; they come installed from the factory, but may have been removed to use as post spacers.
3. Rock pattern is universal, with no front or back. Randomly installing panels gives the most pleasing aesthetic effect.
4. Install the first panel by sliding it into the grooves at the top. Be certain that the 2" high rail is on the top of the first panel. (See Illustration: A)

Illustration A: Installing the bottom panel



5. Slide the second 4' x 8' panel with the 2" x 2" rail on the bottom side and the 4" rail on the top side.
6. To prevent unauthorized panel removal, you can drive one fastener per panel through the panel edge into the post.
7. Caution: NEVER attach both edges of any panel to the post. Polyethylene has a degree of thermal expansion and contraction. If panels are attached on both sides, the panel may crack.

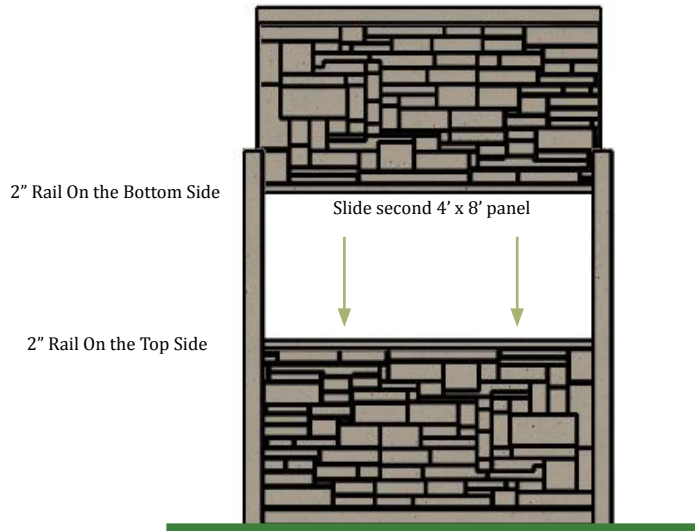


Illustration B: Installing the top panel

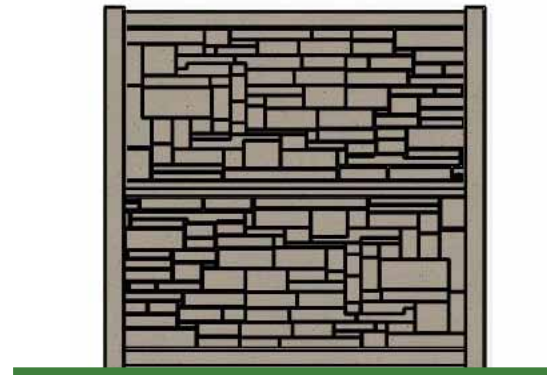


Illustration C: Two 4' x 8' panels fully installed

## Step 6: Cutting Panels

Where a narrower panel is required to finish a wall, panels can be cut to any desired length.

1. Remove steel stiffeners from panels. Determine the exact width between post channels. Mark and cut stiffeners to that width with a metal cutting blade.
2. Mark and cut the panel to the stiffener width, minus  $\frac{1}{2}$ " to allow for thermal expansion and contraction of the panel. Make certain panels are cut accurately with edges parallel.
3. If a cut panel is used with an end post, use the factory edge for attachment to the post.
4. For steeper slopes, panels can be cut so the step or drop in each section is 12" or less.



Tip

Note: For every 4'x8' cut panel a support metal bracket is required.

## Step 6: Installing Caps

1. Once the two 4' x 8' panels are installed in the groove of the post and secure, install caps over the posts.
2. Caps are pressure fitted making securing them typically unnecessary

### Tip

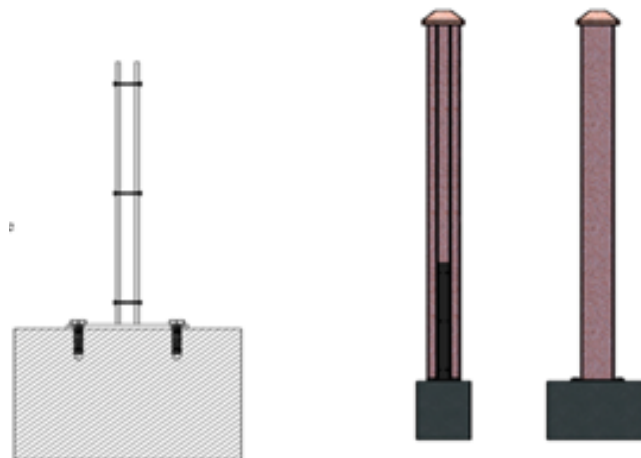
Note: You can also use a 3" flat head screw and attach the cap from the top.



## Installing on a Retaining Wall

SimTek can be installed on top of an 10" minimum width poured concrete wall or on flat concrete using SimTek's Concrete Mounting Base. Concrete mounting bases are manufactured with a heavy steel plate with vertical members. It attaches to the concrete with anchors and bolts to the post. Specific concrete shoes are available for end post, line post and corner posts.

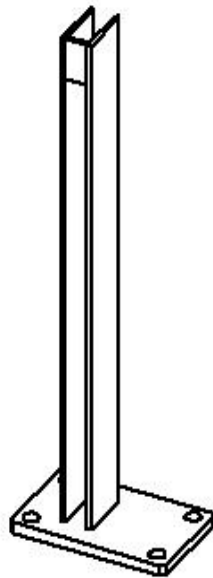
1. Cut the post to the desired height. Posts may need to be cut longer to accommodate changes in elevation. Always cut off the bottom of the post, retaining the factory finished post top.
2. Panel support brackets are unnecessary when using concrete bases. The Panels will set directly on the wall or driveway surface.
3. Start at the corner or an end post position. Locate the concrete bases an equal distance from the edges of the concrete.
4. Mark the position of the plate. Drill all four holes through the pre-drilled holes in the steel plate.
5. Next install all the concrete anchor bolts in the base plate bolt holes provided with a minimum tension and shear strength of at least 4,000 lbs.  
Position the bolts to fasten the mounting place of the base.
6. Place the base over the bolt and attach the bases to the concrete with specified fasteners



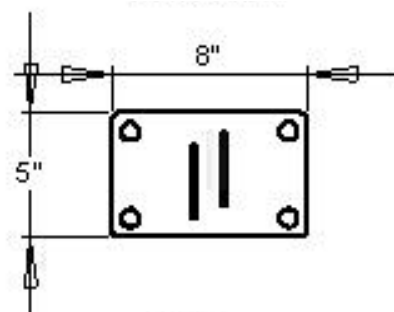
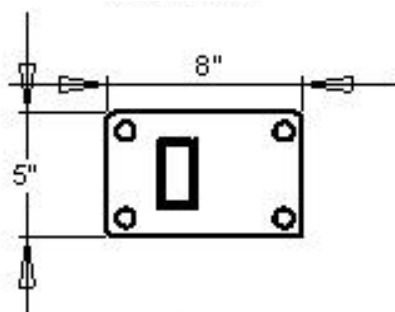
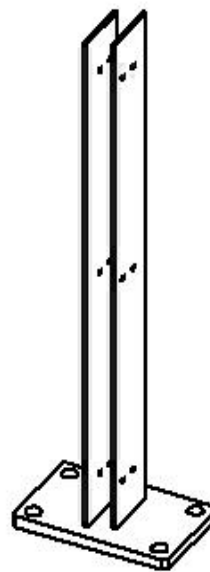
10" Minimum width poured concrete wall

7. If the concrete is not level, washers may be placed over anchor bolts and before bases are bolted down to serve as leveling devices.
8. Position the skirt covers over the bases, covering the metal plates. Skirts must be inserted prior to posts being attached.
9. Attach the base straps to the posts with fasteners in pre-drilled holes. Each side of the strap gets three staggered screws installed from opposite sides of the post for line posts and three each for ends and corners.
10. With the first base anchored, and the post attached, determine and mark the next base position using a panel stiffener as a spacer. For 4' high and 8' high sections, it will measure 96" center-to-center.
11. Cut  $\frac{1}{2}$ " of the bottom panel stiffer to accommodate the base strap and its screws.
12. Mark and drill the holes for the next base.
13. Once all the base and posts are securely anchored to the wall and skirts are in place, insert the panels. Be certain that steel stiffeners are in both top and bottom rails of each panel.
14. Finally, place the caps on the posts for a finished look.

**Concrete Mounting Base  
for End Posts**



**Concrete Mounting Base  
for Line Posts**



# SimTek Gate Installation Guide

## Gate Components and Tools Needed

**Gate Post**

**SimTek Gate**

**End Post**

**SimTek Hinges**

**Latch**

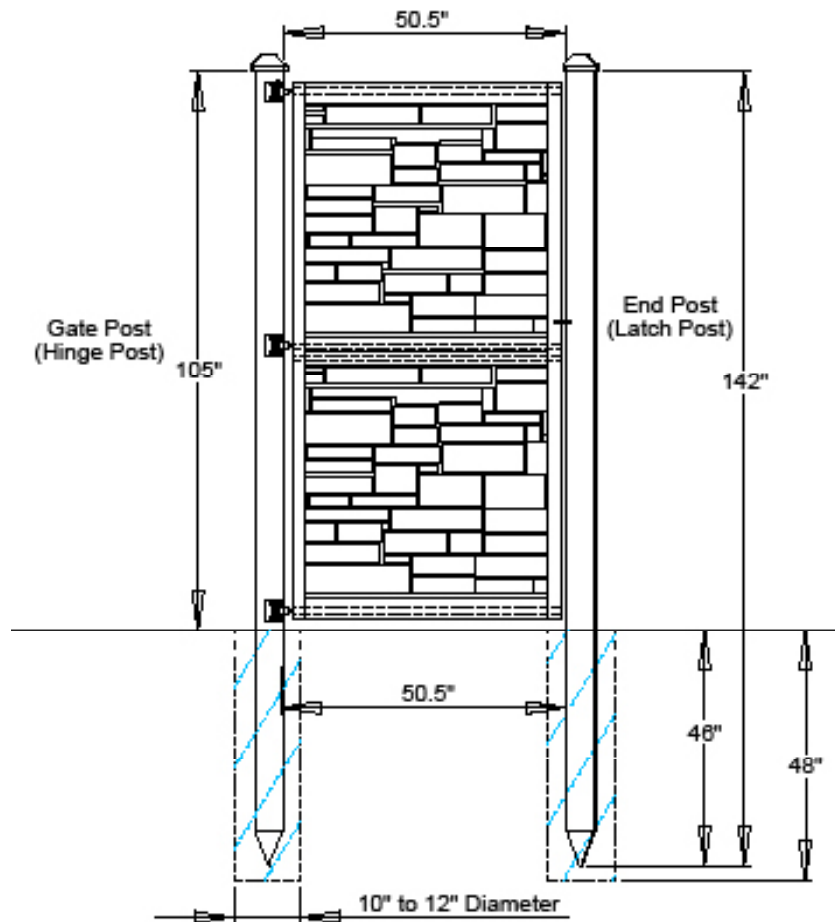
**Stiker Rod (optional)**

**2 1/2" Self-tapping Screws**

**Buttom Head Screws**

**Level and Power Drill**

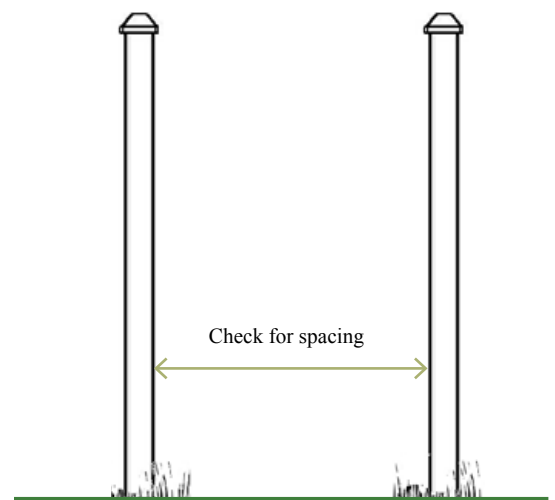
**Concrete**



## Step #1: Set the Gate Post

Gate posts have extra steel reinforcing for strength and are different than all other posts. Before setting the post in the ground, make sure that a gate post (not an end post) is used

1. Dig a hole 10" to 12" in diameter by 46" to 48" deep in the ground.
2. The flat surface (without a channel) must be in position to receive the gate and gate hardware.
3. Post spacing is critical. The ideal spacing is to have a 1" gap between the latch post and the striker bar side of the gate and 1 1/2" for the hinge side. The extra gap on the hinge side is to allow for thermal expansion and contraction.
4. Set the post utilizing the same method as for other posts and fill the hole with concrete. Allow the concrete to cure for 48 to 72 hours.

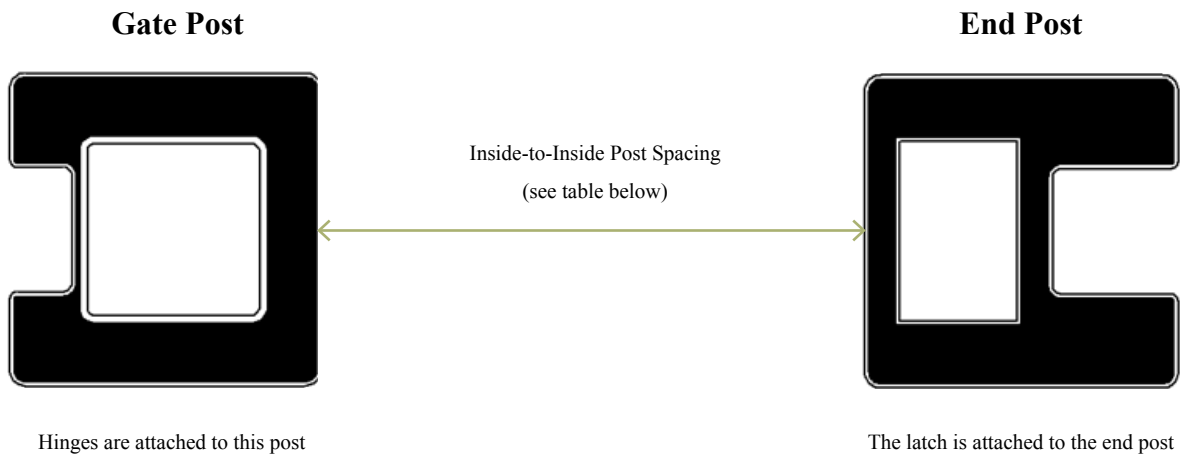




## Step #2: Gate Openings

All gates require about a 1 ½” gap between the gate and the gate post, and about a 1” gap between the gate and the end post or between the two gates when using double gates.

For a single gate, use one gate post and one end post. For double gates, use two gate posts.



Gate Size	Post Spacing
4' - Single 8'H x 4'W Gate	50 ½"
8' - Double 8'H x 8'W Gate	100 ½"

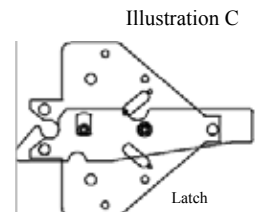
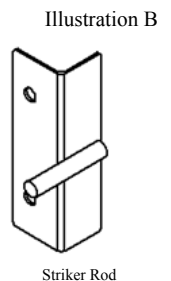
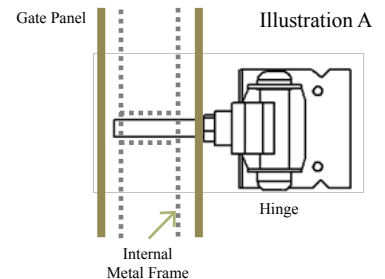
## Step #3: Gate Hardware Installation

1. Thread the ½” hinge rod into the upper and lower inserts in the gate metal frame leaving about 1 ½” from the edge of the gate to the bracket (this can be re-adjusted later)
2. Next hold the gate and its hinges against the gate post at the proper position and height. Drill the provided 2 ½” self-tapping screws into the gate post.



Do not over tighten the screws because it can crush the internal foam, making an indentation in the post.

3. Level the gate. The standard height should be level with the top of the fence panel. Gates are designed with a 4” gap at the bottom to facilitate an unobstructed swing. If you desire a gap smaller than 4”, you may lower the gate relative to the fence panels.
4. Attach the striker rod to the gate by using the provided button head screws.
5. Finally, align the latch with the striker rod and attach the latch to the end post by using the supplied 2 ½” self-tapping screws.





# WARRANTY INFORMATION

SimTek™ Fence warrants the product line to be free from manufacturing defects in materials and workmanship for 25-years from the date of purchase, or for as long as the original end-user purchaser of the product owns and occupies the real estate on which the product was first installed. The manufacturer's warranty does not apply to installation.

**What We Cover.** When proper installation procedures are followed and under normal and proper use, SimTek™ Fence will not crack, warp, peel, rot, blister, fade or drastically change colors. If such defects or degradation is discovered, SimTek™ at its sole discretion will repair, replace the product, or provide the customer a credit for the value of the product subject to the warranty within a reasonable time following the receipt by SimTek™ Fence of notice of such a defect.

**Limitations and Exclusions.** This warranty does not cover damages as a result of abuse, misuse, vandalism, unauthorized repairs or modifications, defacement, neglect, accidents, improper installations, or improper use, acts of god, improper ground settlement, failure of any structure or soil in which the fence was installed, exposure to extremely harmful chemicals, fire, etc. SimTek™ will not be responsible for labor or other expenses not directly incurred by SimTek™ in effecting any claims under this warranty.

SimTek™ reserves the right to modify, enhance, discontinue its products, including colors and will not be responsible in the event replacement products vary in granite colors compared to the original product as a result of reasonable weathering and/or product engineering.

**Registration.** In order to receive full benefits on this warranty, you must register your warranty within 90 days of installation by completely and accurately filling out our online warranty registration at our website: [www.simtekfence.com/registration/](http://www.simtekfence.com/registration/)

