

 **D&D Technologies**
Hi-Performance Hardware

*Changing gate hardware. **Forever.***



What's your style? We have you covered.



Black trim cover (standard)



Chrome trim cover (optional)



Brushed trim cover (optional)

TruClose® "Series 3" Hinges

Top-selling TruClose Gate Hinges have long been the most reliable self-closing gate hinges on the market. The new "Series 3" range offers a unique, custom approach to gate hardware by introducing trim covers to match your locks and lighting fixtures, while concealing all fasteners.

Features:

- D&D patented tension adjustment
- Adjust tension from either end!
- Increased self-closing weight
- Increased point load
- No visible fasteners
- Optional decorative trim covers
- Super-strong engineering polymers and stainless steel components

Benefits:

- Easy-to-adjust closing speed
- Tension adjustment is always facing up
- Stylish, contemporary appearance
- Consistent, reliable operation
- Coordinates with LokkLatch® MAGNETIC
- Won't rust, bind, sag or stain



Limited Lifetime Warranty
on all D&D-manufactured products

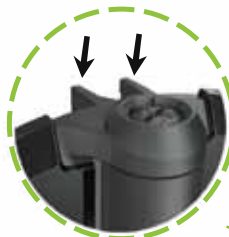
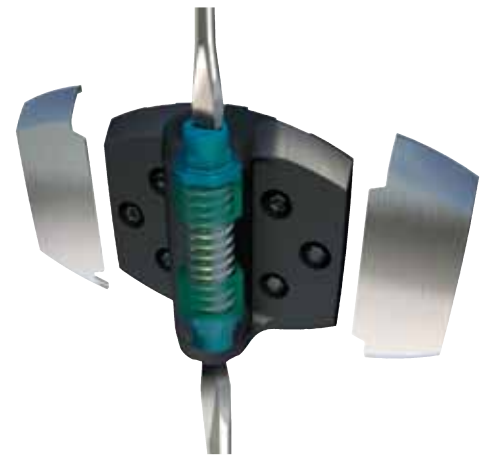
D® TRUClose® Series 3

The industry's best performing hinges just got better!

40% stronger!
Over two times the cycles!



Black trim cover shown



OPTIONAL 2 LEGS (L2)

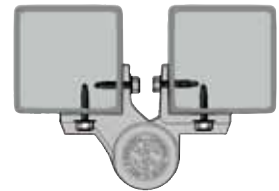
REINFORCING RIBS
Molded ribs provide superior strength

STYLISH FINISH
Decorative trim covers provide a modern, stylish look

CONCEALED FASTENERS
Trim covers hide the fasteners to improve the beauty of the gate

MODEL DESIGN OPTIONS

ALIGNMENT LEGS ("L2" models)
Quick-fit alignment legs for fast installation and added fixing strength. Two legs provide secure, double-face fixing.



PATENTED ADJUSTOR
Easy tension adjustment

INTERNAL STAINLESS STEEL SPRING
Won't rust or corrode

OPTIONAL TRIM COVERS
Metallic-finish trim options include Chrome or Brushed

MOLDED HINGE BODY
Engineering polymers with glass-fiber reinforcement are UV stabilized

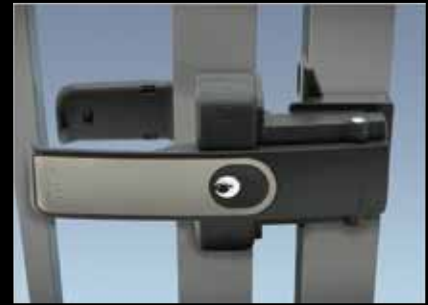
Fits any metal, wood & vinyl square post gate



Black trim cover (standard)



Chrome trim cover (optional)



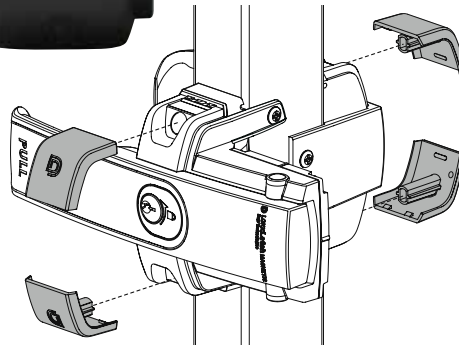
Brushed trim cover (optional)

D[®] LOKK**Latch**[®] MAGNETIC

It's a lock! It's a latch! It's all you need.



Black trim cover shown



OPTIONAL TRIM COVERS

Metallic-finish trim options include Chrome or Brushed

CONCEALED FASTENERS

Fasteners are hidden to improve the beauty of the gate

VERTICAL & HORIZONTAL ADJUSTMENT

Overcomes ground movement and gate sag

ERGONOMIC

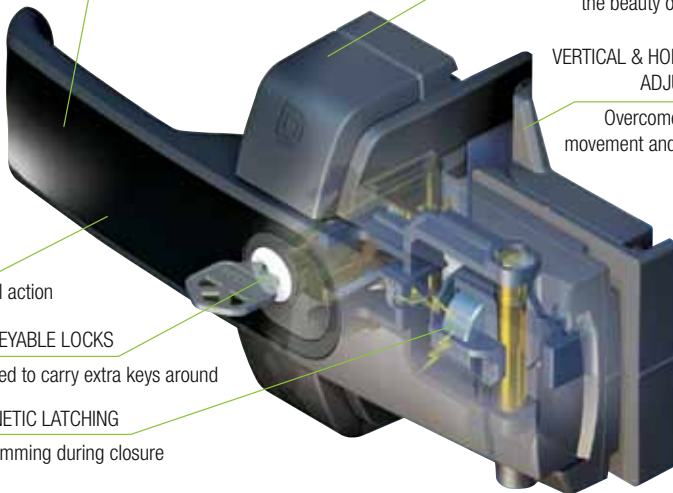
Intuitive Push/Pull action

DUAL, 6-PIN REKEYABLE LOCKS

Eliminates the need to carry extra keys around

PATENTED MAGNETIC LATCHING

No mechanical jamming during closure



*Patent Pending

LokkLatch[®] MAGNETIC

is the world's first gate lock to offer coordinating trim covers that can match your gate hinges, lighting and other yard accessories to create a cohesive look. Engineered with the most durable materials and finishes that withstand the harsh effects of both time and weather, paired with the quality components only D&D is known for, makes LokkLatch Magnetic the ideal latching solution.

Features:

- D&D patented magnetic latching
- Intuitive PUSH/PULL action
- Dual, 6-pin re-keyable locks
- Vertical & horizontal adjustment
- No visible fasteners
- Optional decorative trim covers
- Fits any square-post gate and fence material from 1-1/2" (38mm) to 6" (150mm)
- Super-strong engineering polymers and stainless steel components

Benefits:

- Locks and unlocks from both sides of the gate
- Fits metal, wood and vinyl gates
- Peace-of-mind security
- Ergonomic, one-handed operation
- Consistent, reliable operation
- Will not rust or corrode
- ADA Compliant
- Coordinates with TruClose[®] hinges



Limited Lifetime Warranty
on all D&D-manufactured products

Chrome

Brushed

Black

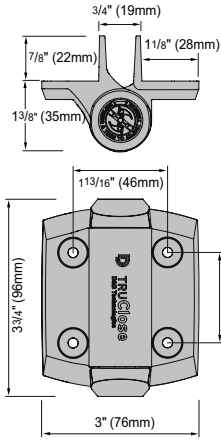
Diagrams show models with two side-fixing legs. Some models have one or no legs.

Visit www.ddtechglobal.com for install instructions on all D&D's products.

TruClose® "Series 3" Hinges – REGULAR RANGE

TCA1S3BT and TCA1L2S3BT

Replaced TCA1-MK2 and TCA1L2-MK2



TCA1S3BT*

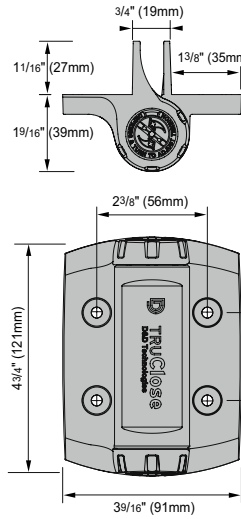


TCA1L2S3BT*

TruClose® "Series 3" Hinges – HEAVY DUTY RANGE

TCHD1AS3BT, TCHD1AL1S3BT, TCHD1AL2S3BT

Replaced TCHD1A-MK2, TCHD1AL1-MK2 and TCHD1AL2-MK2



TCHD1AS3BT*

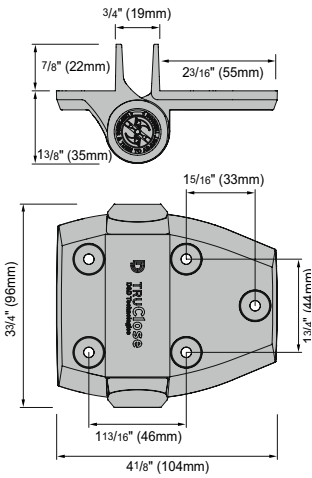
TCHD1AL1S3BT



TCHD1AL2S3BT*

TCA2S3BT and TCA2L2S3BT

Replaced TCA2-MK2 and TCA2L2-MK2



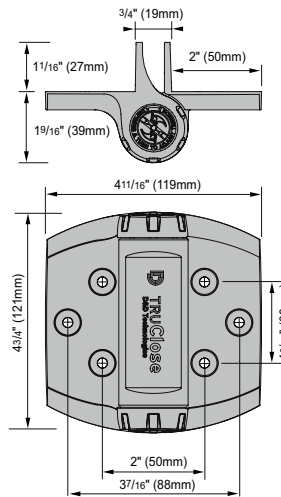
TCA2S3BT



TCA2L2S3BT

TCHD1S3BT and TCHD1L2S3BT

Replaced TCHD1-MK2 and TCHD1L2-MK2



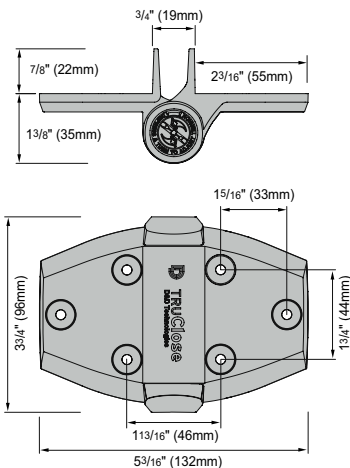
TCHD1S3BT



TCHD1L2S3BT

TCA3S3BT and TCA3L2S3BT

Replaced TCA3-MK2 and TCA3L2-MK2



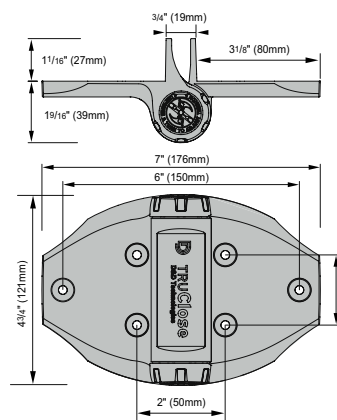
TCA3S3BT



TCA3L2S3BT*

TCHD2L1S3BT and TCHD2L2S3BT

Replaced TCHD2L1S-MK2 and TCHD2L2-MK2



TCHD2L1S3BT*



TCHD2L2S3BT*

No fasteners included. Consult your hardware expert for the proper gauge fasteners.

* Models available in white.

Regular Hinge Range

Maximum Self-Closing weight 66 lb (30kg)								
Previous Sku	Sku	Trim Finish	Gate Material	Side Legs	Ideal Gap	Gap Variance	Max. Point Load	Sold As
TCA1-MK2	TCA1S3BT	Black	Metal	—	3/4" (19mm)	1/4"-7/8" (6-22mm)	660 lb (300kg)	1 Pair
TCA1WT-MK2	TCA1S3WT	White	Metal	—	3/4" (19mm)	1/4"-7/8" (6-22mm)	660 lb (300kg)	1 Pair
TCA1L2-MK2	TCA1L2S3BT	Black	Metal	2 Legs	Fixed at 3/4" (19mm)	-	770 lb (350kg)	1 Pair
TCA1L2WT-MK2	TCA1L2S3WT	White	Metal	2 Legs	Fixed at 3/4" (19mm)	-	770 lb (350kg)	1 Pair
	TCA1L2S3CT	Chrome	Metal	2 Legs	Fixed at 3/4" (19mm)	-	770 lb (350kg)	1 Pair
	TCA1L2S3ST	Brushed	Metal	2 Legs	Fixed at 3/4" (19mm)	-	770 lb (350kg)	1 Pair
TCA2-MK2	TCA2S3BT	Black	Metal/Wood	—	3/4" (19mm)	1/4"-7/8" (6-22mm)	660 lb (300kg)	1 Pair
TCA2L2-MK2	TCA2L2S3BT	Black	Metal/Wood	2 Legs	Fixed at 3/4" (19mm)	-	770 lb (350kg)	1 Pair
TCA3-MK2	TCA3S3BT	Black	Vinyl/Wood	—	3/4" (19mm)	1/4"-7/8" (6-22mm)	660 lb (300kg)	1 Pair
TCA3L2-MK2	TCA3L2S3BT	Black	Vinyl/Wood	2 Legs	Fixed at 3/4" (19mm)	-	770 lb (350kg)	1 Pair
TCA3L2WT-MK2	TCA3L2S3WT	White	Vinyl/Wood	2 Legs	Fixed at 3/4" (19mm)	-	770 lb (350kg)	1 Pair
TCACAP	TCACAPS3	Black	Safety Cap	-	-	-	-	1 Each

Regular - Bulk Trim Kits (1 pack of 40 completes 10 pairs of hinges)

Series 3 Hinge	Sku	Trim Finish	Sold As
TCA1S3	TCA1S3CTK	Chrome	40 Each/Pack
TCA1S3	TCA1S3STK	Brushed	40 Each/Pack
TCA2S3	TCA2S3CTK	Chrome	40 Each/Pack
TCA2S3	TCA2S3STK	Brushed	40 Each/Pack
TCA3S3	TCA3S3CTK	Chrome	40 Each/Pack
TCA3S3	TCA3S3STK	Brushed	40 Each/Pack



Heavy Duty Hinge Range

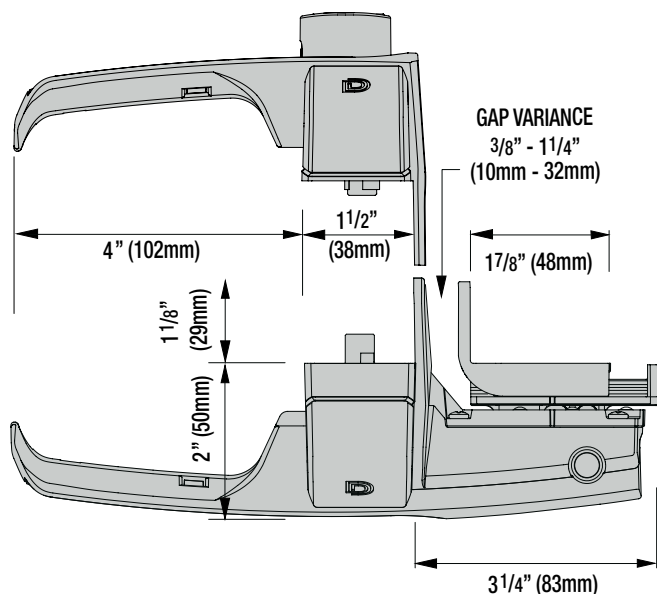
Maximum Self-Closing weight 154 lb (70kg)								
Previous Sku	Sku	Trim Finish	Gate Material	Side Legs	Ideal Gap	Gap Variance	Max. Point Load	Sold As
TCHD1A-MK2	TCHD1AS3BT	Black	Metal	-	3/4" (19mm)	1/4"-1" (6-25mm)	990 lb (450kg)	1 Pair
TCHD1AWT-MK2	TCHD1AS3WT	White	Metal	-	3/4" (19mm)	1/4"-1" (6-25mm)	990 lb (450kg)	1 Pair
TCHD1ALI-MK2	TCHD1ALIS3BT	Black	Metal	1 Leg	3/4" (19mm)	1/4"-1" (6-25mm)	990 lb (450kg)	1 Pair
TCHD1AL2-MK2	TCHD1AL2S3BT	Black	Metal	2 Legs	Fixed at 3/4" (19mm)	-	1,100 lb (500kg)	1 Pair
TCHD1AWTL2-MK2	TCHD1AL2S3WT	White	Metal	2 Legs	Fixed at 3/4" (19mm)	-	1,100 lb (500kg)	1 Pair
	TCHD1AL2S3CT	Chrome	Metal	2 Legs	Fixed at 3/4" (19mm)	-	1,100 lb (500kg)	1 Pair
	TCHD1AL2S3ST	Brushed	Metal	2 Legs	Fixed at 3/4" (19mm)	-	1,100 lb (500kg)	1 Pair
TCHD1-MK2	TCHD1S3BT	Black	Metal/Wood/Vinyl	-	3/4" (19mm)	1/4"-1" (6-25mm)	990 lb (450kg)	1 Pair
TCHD1L2-MK2	TCHD1L2S3BT	Black	Metal/Wood/Vinyl	2 Legs	Fixed at 3/4" (19mm)	-	1,100 lb (500kg)	1 Pair
TCHD2L1S-MK2	TCHD2LISS3BT	Black	Vinyl/Wood	1 Leg	3/4" (19mm)	1/4"-1" (6-25mm)	990 lb (450kg)	1 Pair
TCHD2WTL1S-MK2	TCHD2LISS3WT	White	Vinyl/Wood	1 Leg	3/4" (19mm)	1/4"-1" (6-25mm)	990 lb (450kg)	1 Pair
TCHD2L2-MK2	TCHD2L2S3BT	Black	Vinyl/Wood	2 Legs	Fixed at 3/4" (19mm)	-	1,100 lb (500kg)	1 Pair
TCHD2WTL2-MK2	TCHD2L2S3WT	White	Vinyl/Wood	2 Legs	Fixed at 3/4" (19mm)	-	1,100 lb (500kg)	1 Pair
TCHDCAP	TCHDCAPS3	Black	Safety Cap	-	-	-	-	1 Each

Heavy Duty - Bulk Trim Kits (1 pack of 40 completes 10 pairs of hinges)

Series 3 Hinge	Sku	Trim Finish	Sold As
TCHD1AS3	TCHD1AS3CTK	Chrome	40 Each/Pack
TCHD1AS3	TCHD1AS3STK	Brushed	40 Each/Pack
TCHD1S3	TCHD1S3CTK	Chrome	40 Each/Pack
TCHD1S3	TCHD1S3STK	Brushed	40 Each/Pack
TCHD2S3	TCHD2S3CTK	Chrome	40 Each/Pack
TCHD2S3	TCHD2S3STK	Brushed	40 Each/Pack



D&D Technologies (USA) Inc.,

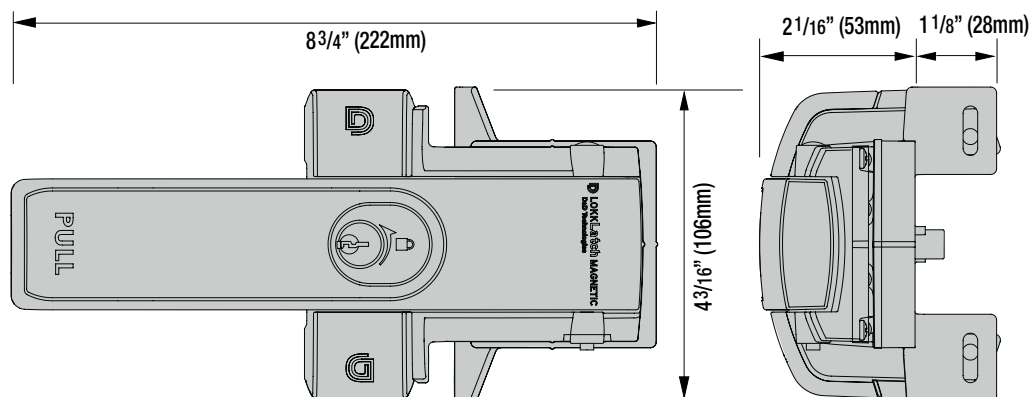


D LOKK**Latch**® **MAGNETIC**

The LokkLatch MAGNETIC gate lock is designed for most square-posted gates and fences. It is ideal for Privacy or Picket-style gates and can also be used on Pedestrian and Double Drive gates* requiring key-lockable security.

LokkLatch MAGNETIC comes standard with Black trim covers, but also offers Chrome and Brushed trim cover options.

* Requires drop rod. We suggest either D&D Technologies' Q-Bolt™ or LokkBolt™.



Fits any metal, wood or vinyl square post gate

Fits most square gates and posts from 1 1/2" to 6" (38-150mm)

D LOKK**Latch**® **MAGNETIC** **Range**

Magnetically triggered gate lock with Decorative Trim Covers

SKU	Trim Finish	Gate Material	Keying Style	Ideal Gap	Gap Variance	Sold As
LLMKABT	Black	Metal, Vinyl, Wood	Keyed Alike	3/4" (19mm)	3/8"-1 1/4" (10-32mm)	1 Each
LLMKACT	Chrome	Metal, Vinyl, Wood	Keyed Alike	3/4" (19mm)	3/8"-1 1/4" (10-32mm)	1 Each
LLMKAST	Brushed	Metal, Vinyl, Wood	Keyed Alike	3/4" (19mm)	3/8"-1 1/4" (10-32mm)	1 Each
LLMKDBT	Black	Metal, Vinyl, Wood	Keyed Different	3/4" (19mm)	3/8"-1 1/4" (10-32mm)	1 Each
LLMKDCT	Chrome	Metal, Vinyl, Wood	Keyed Different	3/4" (19mm)	3/8"-1 1/4" (10-32mm)	1 Each
LLMKDST	Brushed	Metal, Vinyl, Wood	Keyed Different	3/4" (19mm)	3/8"-1 1/4" (10-32mm)	1 Each

Your Distributor of Choice for Vinyl, Steel and Aluminum Products

www.polyvinylc.com

marketing@polyvinylc.com

Corporate: 800-780-3362

Branch (GA,AL,TN,LA): 877-68-FENCE

Branch: (NC,SC,VA): 888-PVC-FENCE



*D&D is proud to unveil the next generation
in gate hardware.*

*No Visible Fasteners
Matching Decorative Trim Covers
Improved Performance*



Quality and Performance – built in from start to finish.

*D&D polymer gate hardware products
are #1 in the WORLD for a reason – they work!*

No gimmicks. No empty promises. No hype.

- Over 23 years of proven reliability
- Quality ISO 9001 certification
- Continuous performance improvement
- Defect rate of less than 1 in 1,000
- Performance claims you can depend on
- D&D's product component traceability
- Limited Lifetime Warranty



Your Distributor of Choice for Vinyl, Steel and Aluminum Products

www.polyvinylc.com

marketing@polyvinylc.com

Corporate: 800-780-3362

Branch (GA,AL,TN,LA): 877-68-FENCE

Branch: (NC,SC,VA): 888-PVC-FENCE



AVAILABLE AT:

