

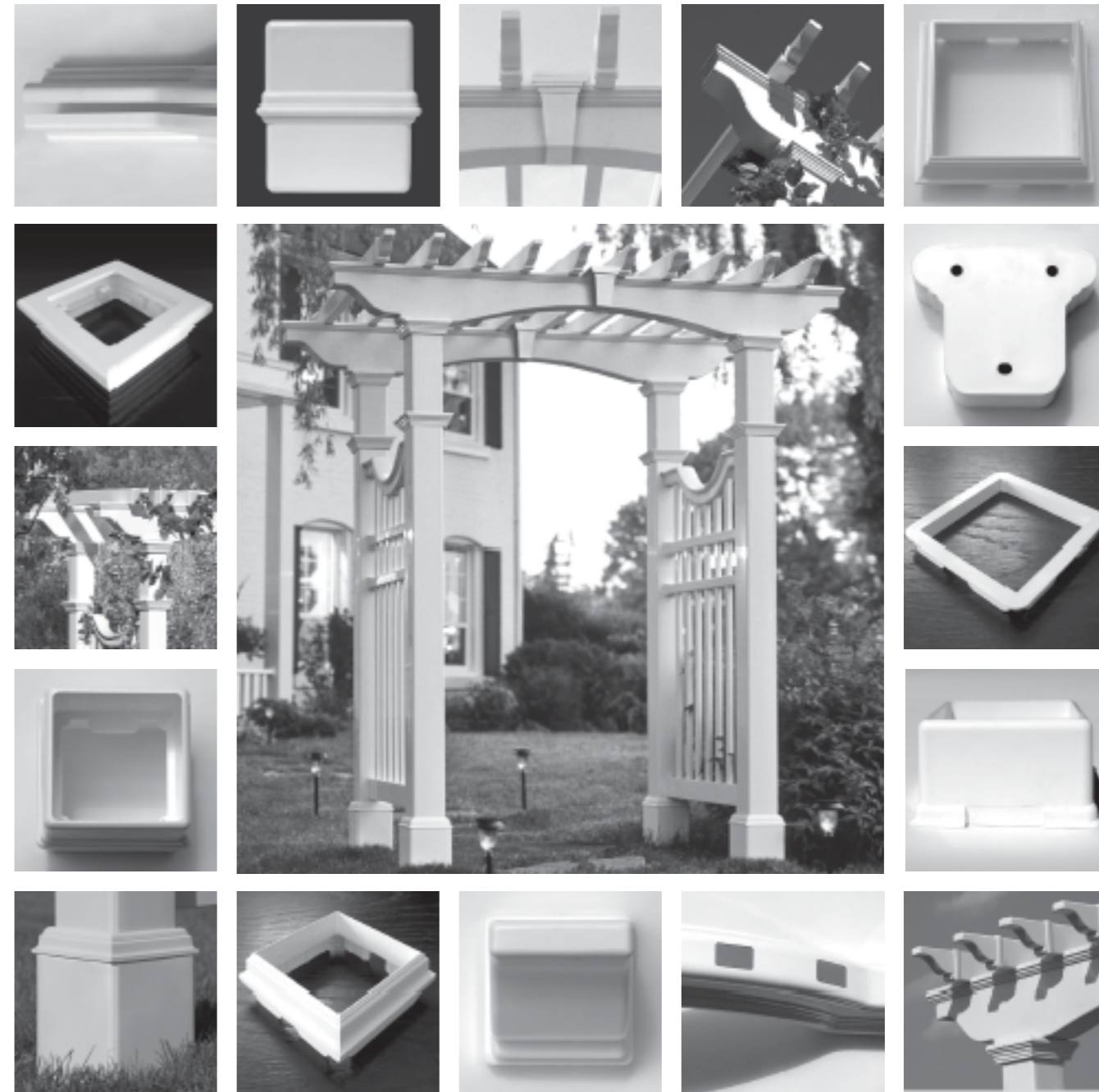


Vinyl Accessories Program

Joist Hanger	DESCRIPTION	Pergola Clip	DESCRIPTION
	<p>Joist Hanger Part # M-26JH</p>		<p>2" x 2" Pergola Clip Part # A-22PC 1 1/2" x 1 1/2" Pergola Clip Part # A-15PC</p>



Photograph courtesy of U.S. Vinyl Fence, Murray, UT.



Stallion Fence Accessories LLC
 3851 Revere Street
 Denver, CO 80239

Phone: 303-295-9602
 Fax: 303-295-9601
www.stallionfence.com





The Applications Are Endless... You Decide.



*Enhance Your Posts
with Architectural
Trim Moldings*



*Compliment Your
Structures
with our Pergola Ends*



*Customize Your
Gate System
with a Swoop Arch
& Bracket System*



*Enhance Your Posts
with Architectural
Base Moldings*



MONSTER ARCHES

Unbeatable Beauty, Strength and Durability

Utilizing the latest in injection molding technology.

- 100% injection molded PVC arches
- Adapters enable arches to fit in 4" x 4" or 5" x 5" post
- Available in white and tan
- Unique design new to the industry
- Notches contain guide pins for easily centering extrusion
- Notched for 1 3/4" rails
- Snaps and locks together
- Strong and durable: each arch weighs 40 lbs.
- Fits extrusions up to 165 wall thickness

Frequently Asked Questions

How do the Monster Arches fit both 4x4 and 5x5 posts?

Screwless, self-locking adapters, available in two sizes, enable the arch to fasten into either a 4x4 or 5x5 post (see above).

How are they shipped?

The arches are sent in 2 pieces to prevent shipping damage. When ordering you must specify whether you need the arch to fit a 4"x4" or a 5"x5" profile.

Is assembly required?

Simply snap the self locking adapters in the arch and insert into the extrusion. Next, you will need to slip both pieces together and secure them with screws. The screws will then be covered by the keystone to give the arch a finished look.

What about the keystone?

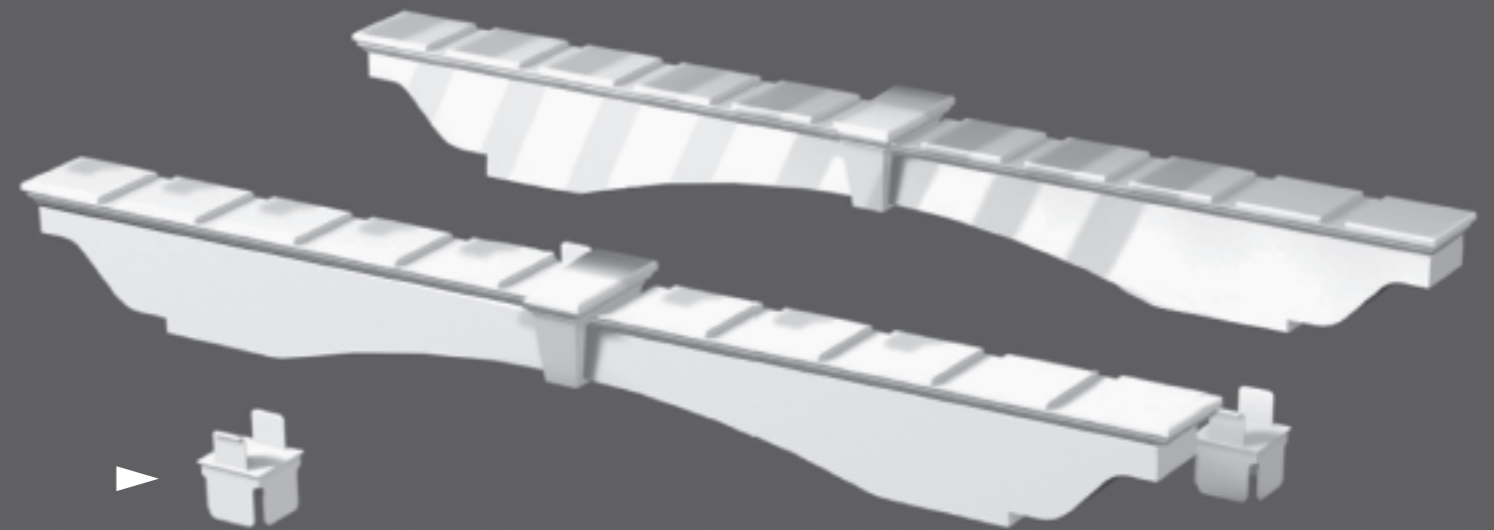
Because the arch is actually molded in two pieces, there is a seam that runs down the middle. The keystone snaps and locks over the seam and is purely for esthetics. Finished, there are no seams or parting lines.

What pieces will I receive when I order my Monster Arch?

There are two items you will need, the Monster Arch system and the Accessory Kit. The Monster Arch system contains 1 complete arch along with guide pins. You must then specify which Accessory Kit you will need, a 4"x4" or a 5"x5". Both sizes of the Accessory Kits contain 1 keystone, 2 post mount stubs (4" or 5"), and 1 tube of 1.5 oz glue.

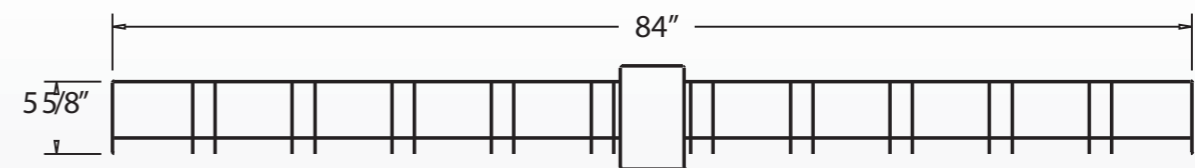
What size of rail is the top groove designed to accommodate?

The grooves are designed to accommodate 1 3/4" extrusions and contain guide pins to enable easy installation and avoid measuring.

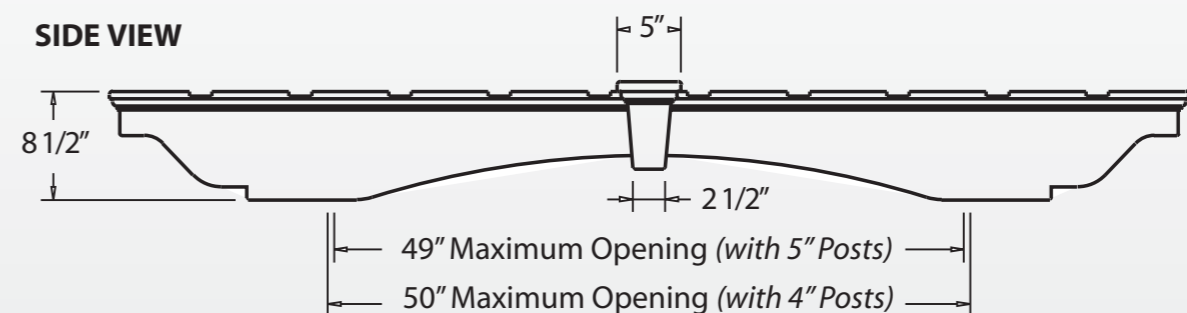


Adapters enable the arch to fit either 4x4 or 5x5 posts.

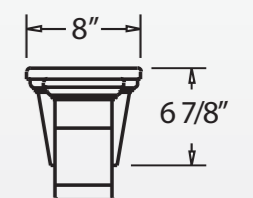
TOP VIEW



SIDE VIEW



END VIEW



Monster Arch System

DESCRIPTION

1 complete arch including guide pins


Accessory Kit

DESCRIPTION

1 keystone, 1 tube of 1.5 oz glue, and 2 post mount stubs
(please identify size of post mount stubs required: 4x4 or 5x5)


1 1/2" Pergola End

DESCRIPTION
1 1/2 x 5 1/2 Pergola End Part # A-155P




1 3/4" Pergola End

DESCRIPTION
1 3/4 x 1 3/4 Pergola End Part # A-175P
1 3/4 x 3 1/2 Pergola End Part # A-173P




2" Pergola End

DESCRIPTION
2 x 3 1/2 Pergola End Part # A-235P
2 x 6 Pergola End Part # A-260P
2 x 8 Pergola End Part # A-280P




Swoop Arch Brackets

DESCRIPTION
Part # A-46SAB



1 3/4 x 1 3/4 Coupler

DESCRIPTION
Part # A-175C



4x4 New England Post Trim

DESCRIPTION
Part # A-44PT




5x5 New England Post Trim

DESCRIPTION
Part # A-55PT




5x5 to 4x4 Base Molding Top Trim

DESCRIPTION
Part # A-54PS




5x5 to 4x4 Base Molding Bottom Trim

DESCRIPTION
Part # A-54EC




6 1/2 x 6 1/2 to 5x5 Base Molding Top Trim

DESCRIPTION
Part # A-655PA




6 1/2 x 6 1/2 to 5x5 Base Molding Bottom Trim

DESCRIPTION
Part # A-655EC




Swoop Arches

DESCRIPTION - Blank

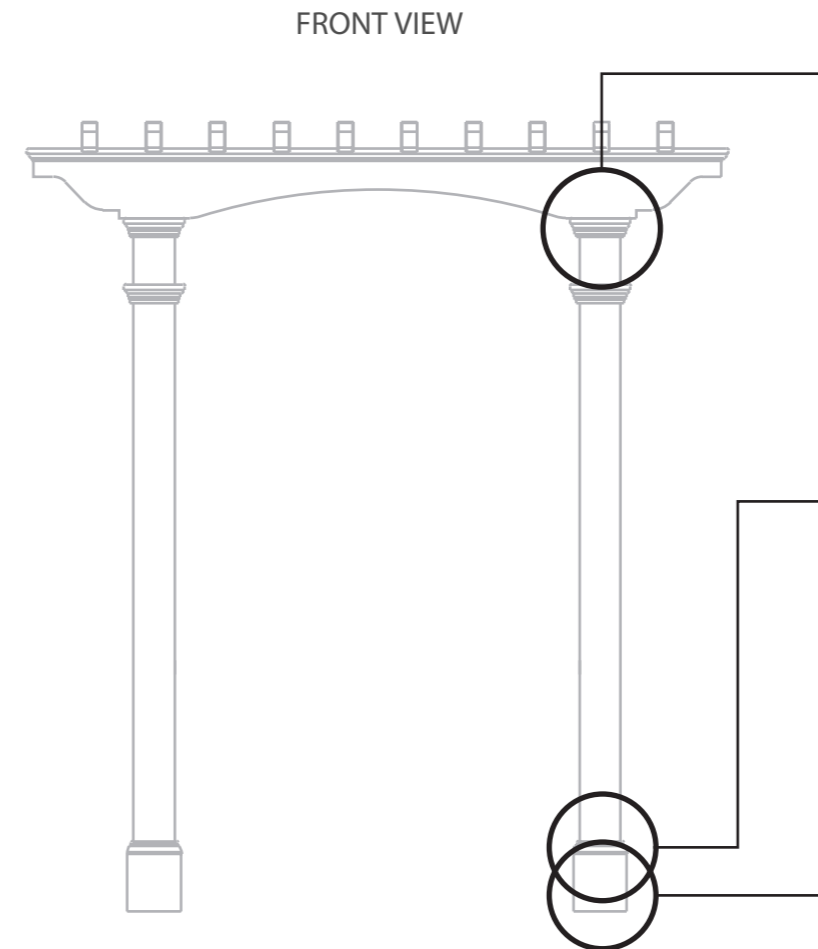
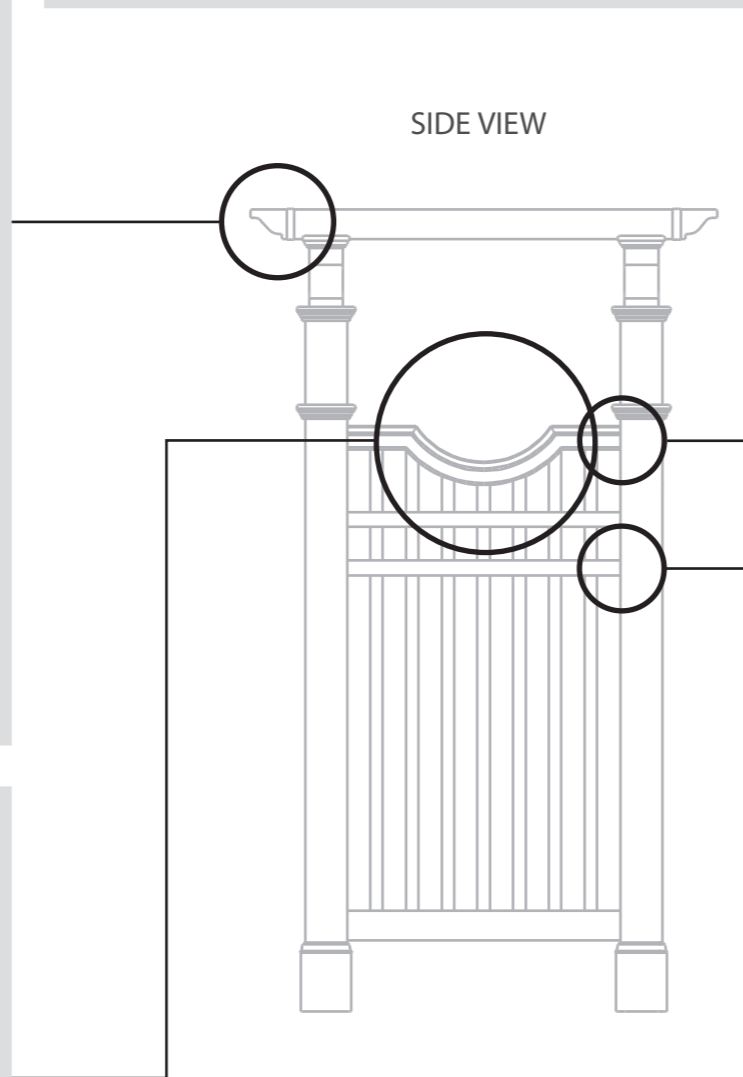


Part # A-46SAB

DESCRIPTION - Routed Standard (Custom Routing Available)




Part # A-46SA9



1 3/4 x 1 3/4 Rail Mount Bracket

DESCRIPTION
Part # A-175B



6x6 to 5x5 Base Molding Top Trim

DESCRIPTION
Part # A-65PA

