



MIAMI-DADE COUNTY
BUILDING CODE COMPLIANCE OFFICE (BCCO)
PRODUCT CONTROL DIVISION

MIAMI-DADE COUNTY, FLORIDA
METRO-DADE FLAGLER BUILDING

140 WEST FLAGLER STREET, SUITE 1603
MIAMI, FLORIDA 33130-1563
(305) 375-2901 FAX (305) 375-2908

www.miamidade.gov

NOTICE OF ACCEPTANCE (NOA)

Westech Building Products, Inc.
P. O. Box 567
Mount Vernon, IN 47620

SCOPE:

This NOA is being issued under the applicable rules and regulations governing the use of construction materials. The documentation submitted has been reviewed by Miami-Dade County Product Control Division and accepted by the Board of Rules and Appeals (BORA) to be used in Miami Dade County and other areas where allowed by the Authority Having Jurisdiction (AHJ).

This NOA shall not be valid after the expiration date stated below. The Miami-Dade County Product Control Division (In Miami Dade County) and/or the AHJ (in areas other than Miami Dade County) reserve the right to have this product or material tested for quality assurance purposes. If this product or material fails to perform in the accepted manner, the manufacturer will incur the expense of such testing and the AHJ may immediately revoke, modify, or suspend the use of such product or material within their jurisdiction. BORA reserves the right to revoke this acceptance, if it is determined by Miami-Dade County Product Control Division that this product or material fails to meet the requirements of the applicable building code.

This product is approved as described herein, and has been designed to comply with the High Velocity Hurricane Zone of the Florida Building Code.

DESCRIPTION: Extruded PVC Vinyl Fencing Systems

APPROVAL DOCUMENT: Drawing No. 10-02, titled "PVC Privacy Fence systems", sheets 1 through 9 of 9, prepared by Al-Farooq Corporation, dated April 09, 2010, last revision #A dated September 02, 2010, signed and sealed by Javad Ahmad, P.E., bearing the Miami-Dade County Product Control Approval stamp with the Notice of Acceptance number and the approval date by the Miami-Dade County Product Control Division.

MISSILE IMPACT RATING: None

LABELING: Each fence section shall bear a permanent label with the manufacturer's name or logo, city, state, and the following statement: "Miami-Dade County Product Control Approved", unless otherwise noted herein.

RENEWAL of this NOA shall be considered after a renewal application has been filed and there has been no change in the applicable building code negatively affecting the performance of this product.

TERMINATION of this NOA will occur after the expiration date or if there has been a revision or change in the materials, use, and/or manufacture of the product or process. Misuse of this NOA as an endorsement of any product, for sales, advertising or any other purposes shall automatically terminate this NOA. Failure to comply with any section of this NOA shall be cause for termination and removal of NOA.

ADVERTISEMENT: The NOA number preceded by the words Miami-Dade County, Florida, and followed by the expiration date may be displayed in advertising literature. If any portion of the NOA is displayed, then it shall be done in its entirety.

INSPECTION: A copy of this entire NOA shall be provided to the user by the manufacturer or its distributors and shall be available for inspection at the job site at the request of the Building Official.

This NOA consists of this page 1, evidence submitted page E-1 as well as approval document mentioned above. The submitted documentation was reviewed by **Helmy A. Makar, P.E., M.S.**



Helmy A. Makar
 10/06/2010

NOA No. 10-0512.03
Expiration Date: 10/06/2015
Approval Date: 10/06/2010

Westech Building Products, Inc.

NOTICE OF ACCEPTANCE: EVIDENCE SUBMITTED

A. DRAWINGS

1. *Drawing No. 10-02, titled " PVC Privacy Fence systems ", sheets 1 through 9 of 9, prepared by Al-Farooq Corporation, dated April 09, 2010, last revision #A dated September 02, 2010, signed and sealed by Javad Ahmad, P.E.*

B. TESTS

1. *Test report on Uniform Static Air Pressure Test, prepared by Architectural Testing, Report # 91017.02-119-18, dated September 17, 2009, signed and sealed by Joseph A. Reed, P.E.*

C. CALCULATIONS


1. *Calculations titled PVC Privacy fence System (4 ft & 6 ft tall), by Al-Farooq Corporation, dated April 30, 2010, sheets L1, D-1, CR-1, WL-1 to WL-7, TR-1 to TR-4, & C-1 to C-34, signed and sealed by Javad Ahmad, P.E., on May 04, 2010.*

D. MATERIAL CERTIFICATIONS

1. *Extruded Profile (Phantom) Specification sheets.*

E. STATEMENTS

1. *Letter regarding the compliance with Florida Building Code 2007 and the lack of financial interest, prepared by Al-Farooq Corporation, dated April 30, 2010, signed and sealed by Javad Ahmad, P.E., on May 04, 2010.*



Helmy A. Makar, P.E., M.S.
Senior Product Control Examiner
NOA No. 10-0512.03
Expiration Date: 10/06/2015
Approval Date: 10/06/2010

PVC PRIVACY FENCE SYSTEMS

THIS PRODUCT HAS BEEN DESIGNED AND TESTED TO COMPLY WITH THE REQUIREMENTS OF THE FLORIDA BUILDING CODE 2007 EDITION INCLUDING HIGH VELOCITY HURRICANE ZONE (HVHZ).

INSTALLATION OR LOADING CONDITIONS OTHER THAN THOSE SHOWN IN THESE DETAILS ARE NOT PART OF THIS APPROVAL.

ALL CONCRETE SHALL HAVE A 28 DAY COMPRESSIVE STRENGTH OF 3000 PSI.

FENCE SYSTEMS COVERED UNDER THIS APPROVAL SHALL BE MANUFACTURED FROM RIGID PVC HOMOPOLYMER, SIC 3084 PROFILES.

FENCES SHALL BE INSTALLED AS PER MANUF'S INSTALLATION INSTRUCTIONS.

PRODUCT MARKING

A LABEL SHALL BE AFFIXED ON EACH FENCE WITH THE FOLLOWING STATEMENT.

WESTECH BUILDING PRODUCTS, INC., VERNON, IN.
'MIAMI-DADE COUNTY PRODUCT CONTROL APPROVED'

FENCE SYSTEMS ARE DESIGNED FOR 75 MPH WIND SPEED OR 90 MPH 3 SECOND GUSTS IN COMPLIANCE WITH SECTION 1612.2.1 OF THE FLORIDA BUILDING CODE.

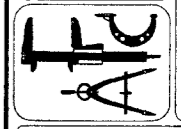
Approved as complying with the
Florida Building Code
Date 10/06/2010
NOA# 10-0512.03
Miami Dade Product Control
Division
By [Signature]

Engr: JAVAD AHMAD
CIVIL
FLA. PE # 70592
C.A.N. 3538

JA

SEP 02 2010

AL-FAROOQ CORPORATION
ENGINEERS & PRODUCT DEVELOPMENT
1235 S.W. 87 AVE
MIAMI, FLORIDA 33174
TEL. (305) 264-8100 FAX. (305) 262-6978
FENCES \ 10-02WBFP

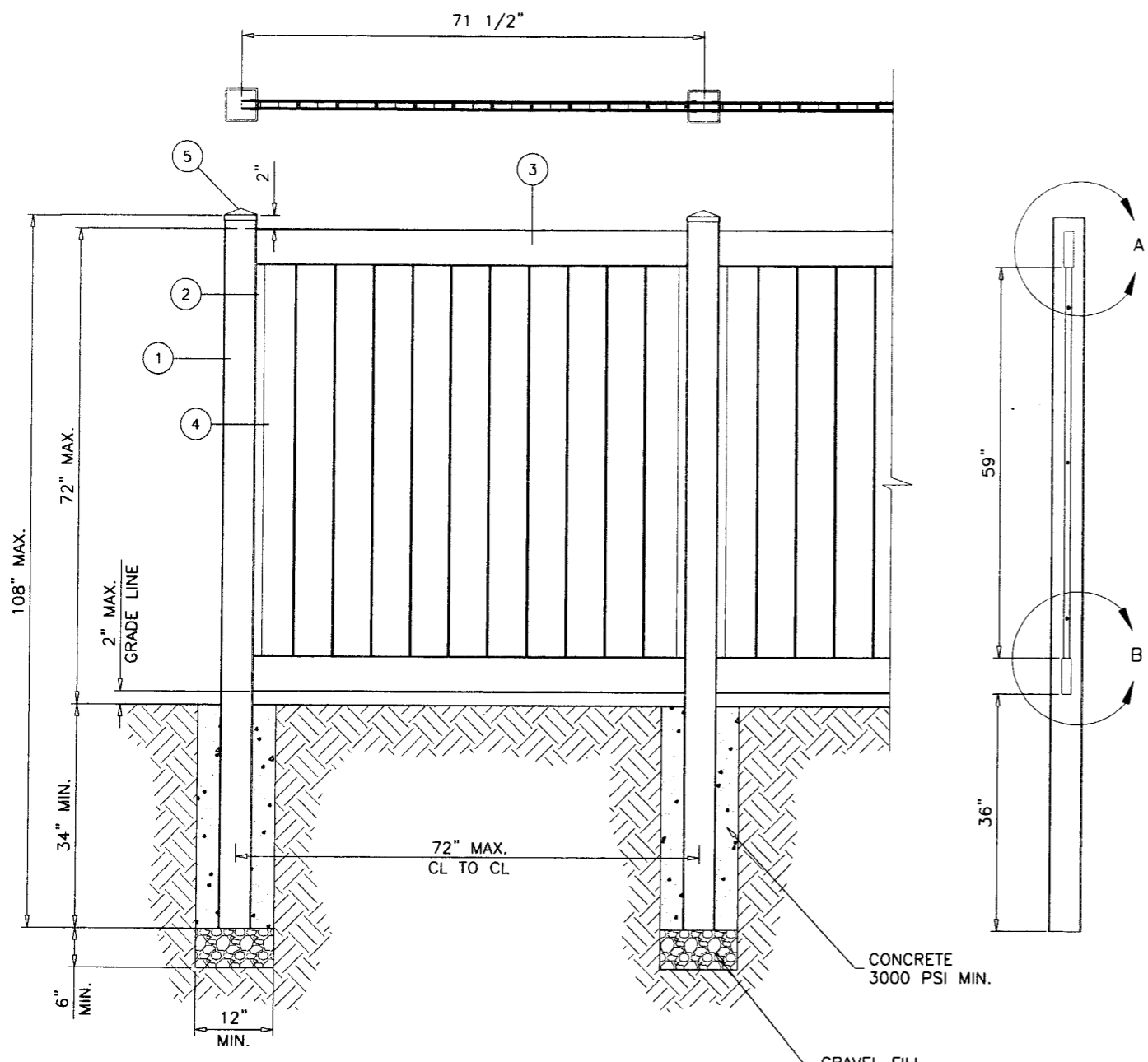


PVC PRIVACY FENCE SYSTEMS
WESTECH BUILDING PRODUCTS, INC.
7451 HIGHWAY 62 EAST
MOUNT VERNON, INDIANA. 47620
TEL. (812) 985-3628 FAX. (812) 985-2925

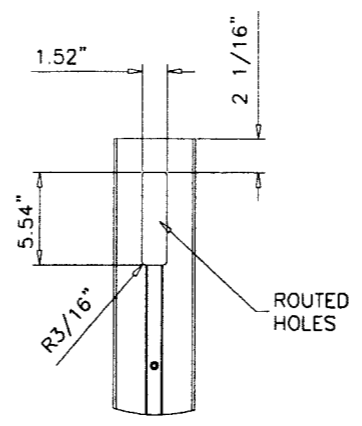
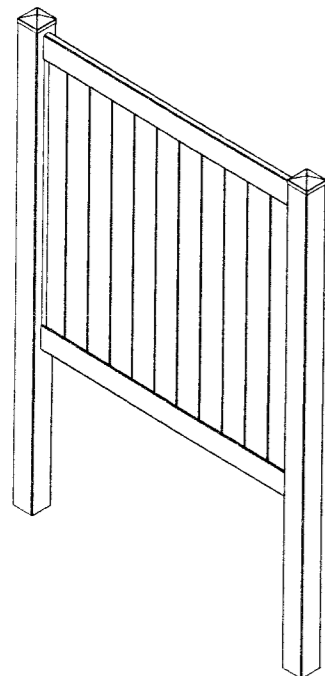
no	date	by	description	REV. PER BCCO COMMENTS
A	09.02.10			

date: 04-09-10
scale: -
dr. by: HAMID
chk. by:

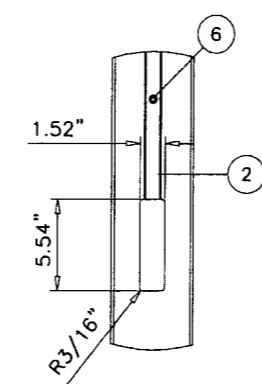
drawing no.
10-02
sheet 1 of 9



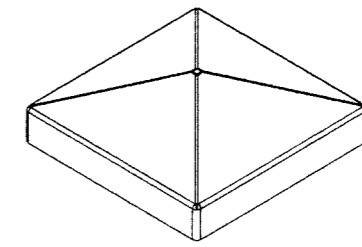
TYPICAL ELEVATION
1/2" = 1'-0"



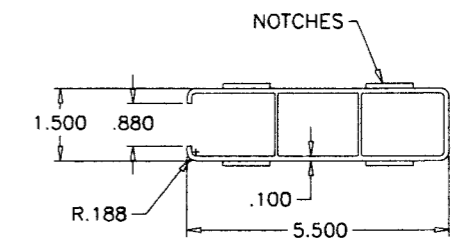
DETAIL 'A'
1" = 1'-0"



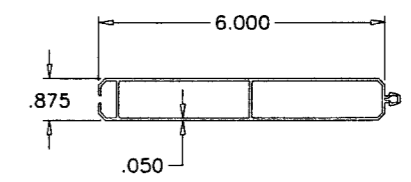
DETAIL 'B'
1" = 1'-0"



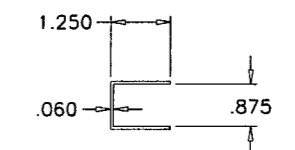
5" HORSE CAP



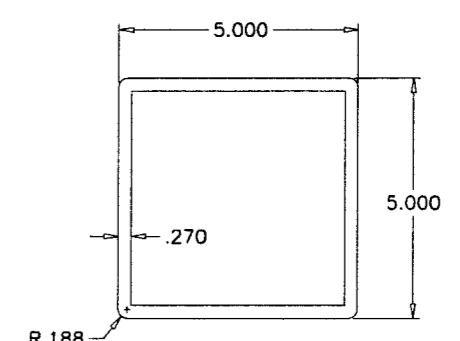
RAIL



INTERLOCK



CHANNEL



POST

6" T&G PRIVACY FENCE

ITEM NO.	PART DESCRIPTION	LENGTH IN.
1	5" X 5" POST	108
2	7/8" U CHANNEL	58-7/8
3	1-1/2" X 5-1/2" RAIL	71-1/2
4	7/8" X 6" T&G	62-1/4
5	5" HORSE CAP	N/A
6	1/2" FASTENERS	N/A

Engr: JAVAD AHMAD
CIVIL
FLA. PE # 70592
C.A.N. 3538

JA
SEP 02 2010

Approved as complying with the
Florida Building Code
Date 10/06/2010
NOA# 10-0512.03
Miami Dade Product Control
Division
By *Helmy A. Helmy*

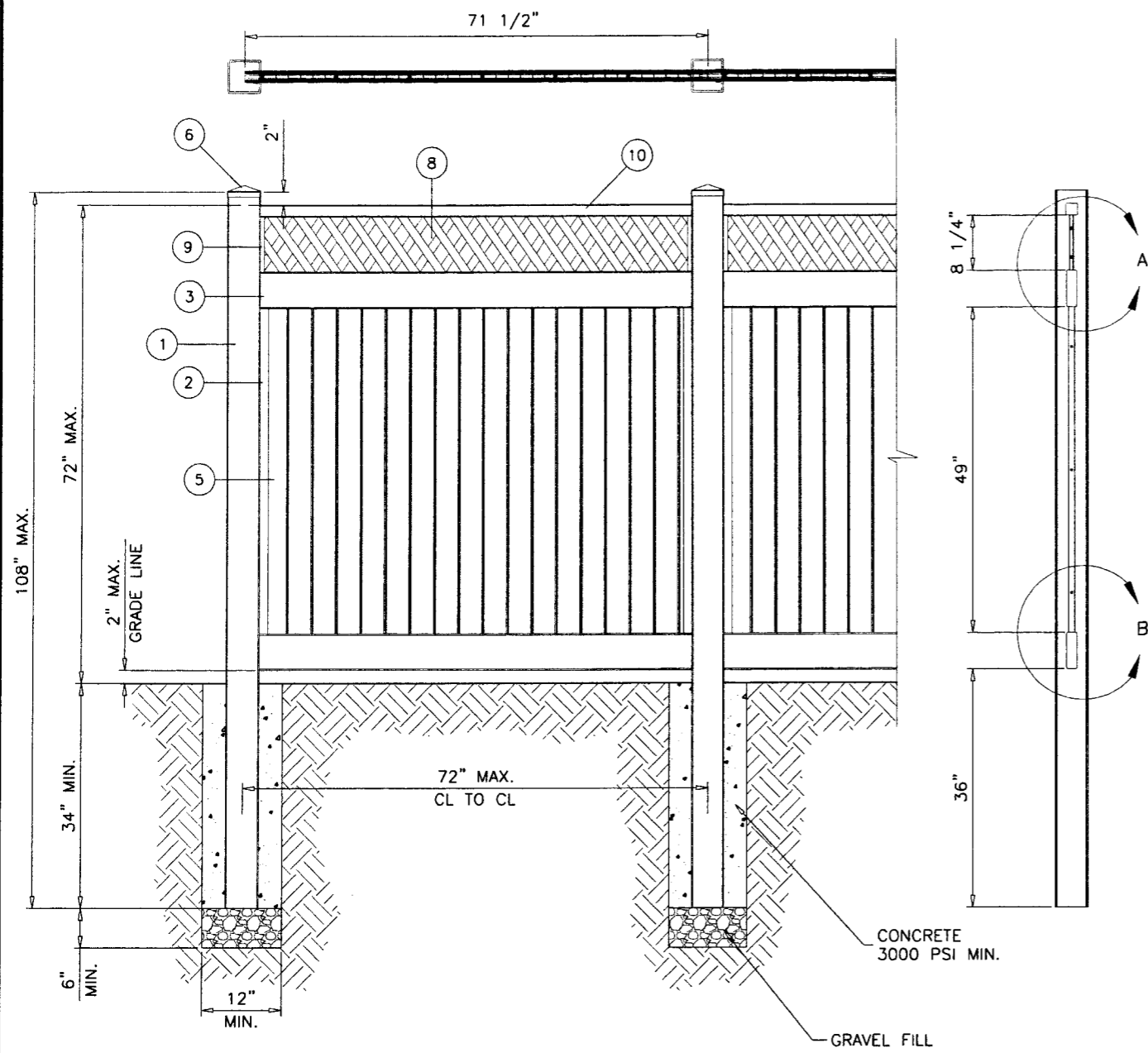
AL-FAROOQ CORPORATION
ENGINEERS & PRODUCT DEVELOPMENT
1235 S.W. 87 AVE
MIAMI, FLORIDA 33174
TEL. (305) 264-8100 FAX. (305) 262-6978
FENCES\10-02WBP

PVC PRIVACY FENCE SYSTEMS
WESTECH BUILDING PRODUCTS, INC.
7451 HIGHWAY 62 EAST
MOUNT VERNON, INDIANA. 47620
TEL. (812) 985-3628 FAX. (812) 985-2925

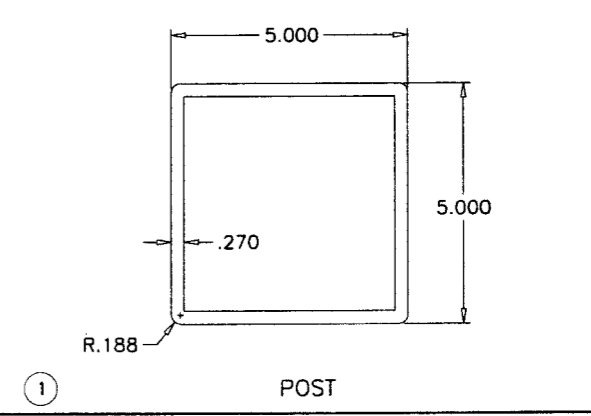
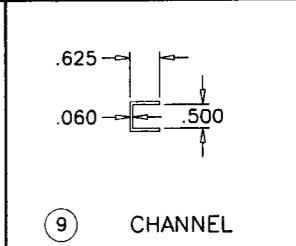
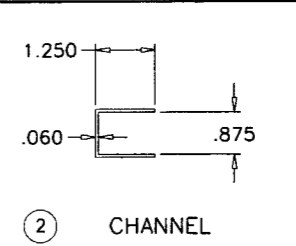
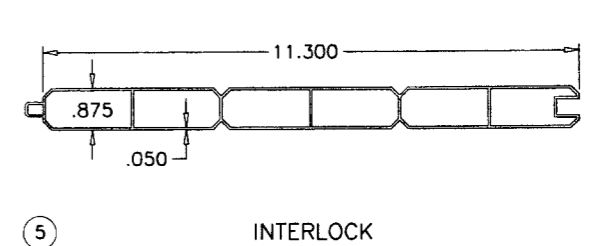
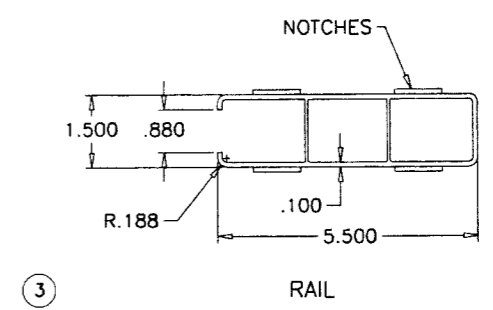
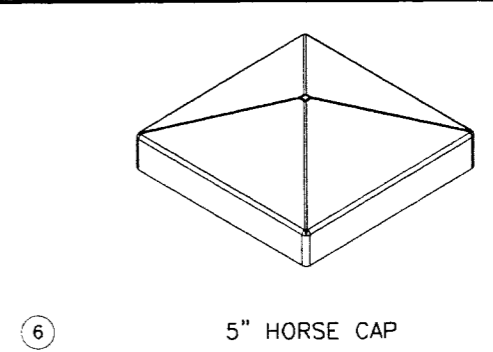
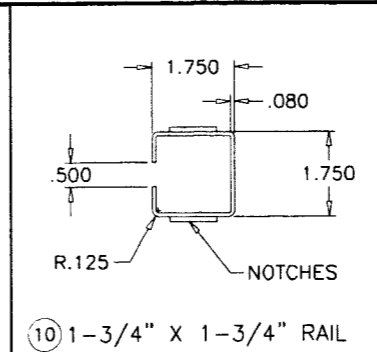
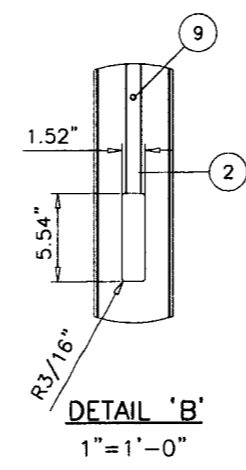
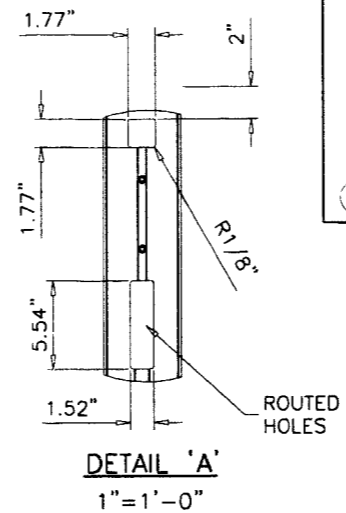
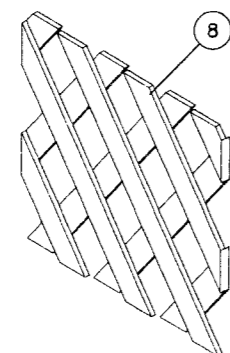
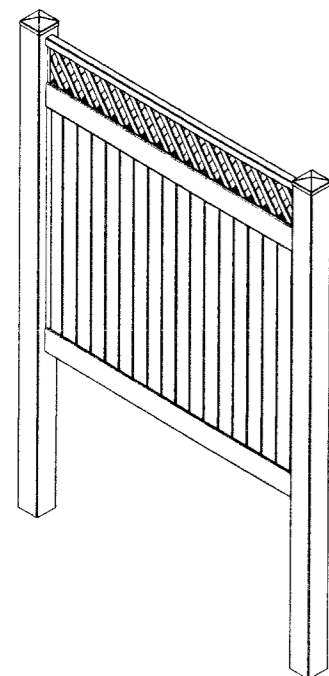
revisions:	no	date	description
	A	09.02.10	REV. PER BCCO COMMENTS

date:	04-09-10
scale:	1/4" = 1"
dr. by:	HAMID
chk. by:	

drawing no.	10-02
sheet	3 of 9



TYPICAL ELEVATION
1/2" = 1'-0"



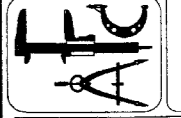
LATTICE ACCENT 11.3" PRIVACY FENCE

ITEM NO.	PART DESCRIPTION	LENGTH IN.
1	5" X 5" POST	108
2	7/8" U CHANNEL	48-7/8
3	1-1/2" X 5-1/2" RAIL	71-1/2
5	7/8" X 11.3" T&G	52-1/4
6	5" HORSE CAP	N/A
8	1/2" LATTICE	N/A
9	5/8" U CHANNEL	8-1/4
10	1-3/4" X 1-3/4" RAIL	71-1/2
11	1/2" FASTENERS	N/A

Engr: JAVAD AHMAD
CIVIL
FLA. PE # 70592
C.A.N. 3538
SEP 03 2010

Approved as complying with the
Florida Building Code
Date 10/06/2010
NOA# 10-0512.03
Miami Dade Product Control
Division
By Heung A. Ma

AL-FAROOQ CORPORATION
ENGINEERS & PRODUCT DEVELOPMENT
1235 S.W. 87 AVE
MIAMI, FLORIDA 33174
TEL. (305) 264-8100
FAX. (305) 262-6978
FENCES\10-02WB



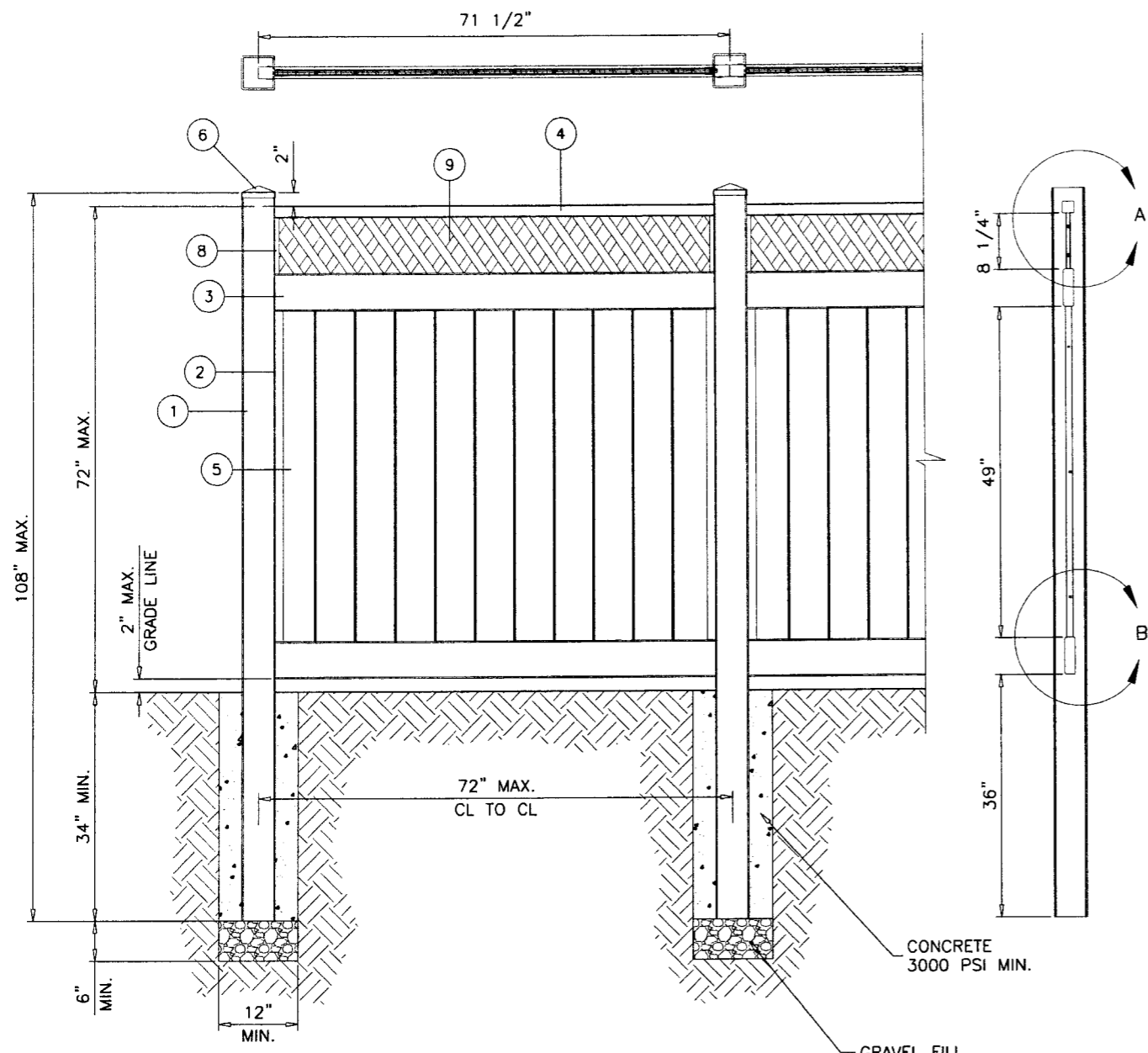
PVC PRIVACY FENCE SYSTEMS
WESTECH BUILDING PRODUCTS, INC.
7451 HIGHWAY 62 EAST
MOUNT VERNON, INDIANA. 47620
TEL. (812) 985-3628 FAX. (812) 985-2925

no.	date	by	description
A	09.02.10		REV. PER BCCO COMMENTS

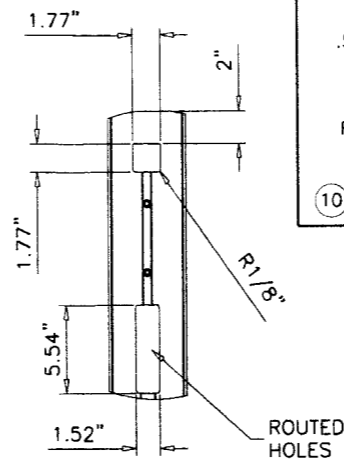
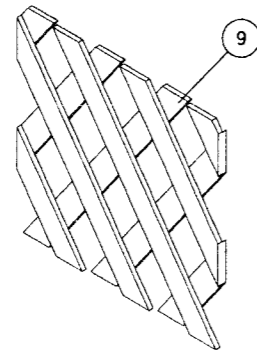
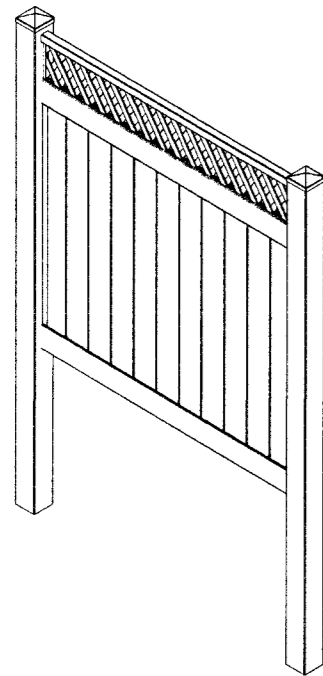
revisions:

date: 04-09-10
scale: 1/4" = 1"
dr. by: HAMID
chk. by:

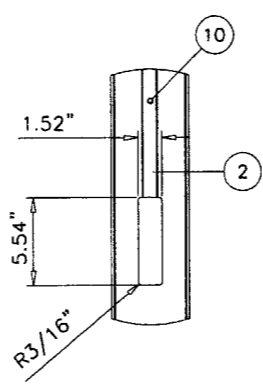
drawing no.
10-02
sheet 4 of 9



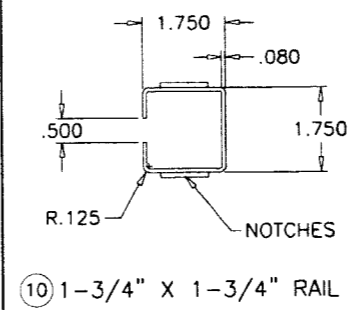
TYPICAL ELEVATION
1/2" = 1'-0"



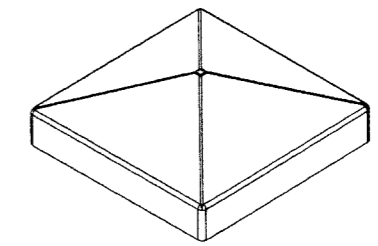
DETAIL 'A'
1" = 1'-0"



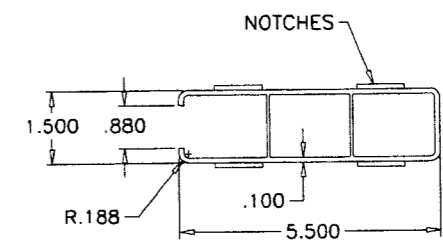
DETAIL 'B'
1" = 1'-0"



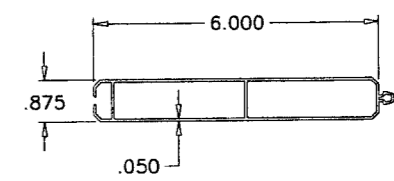
⑩ 1-3/4" X 1-3/4" RAIL



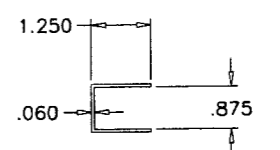
⑥ 5" HORSE CAP



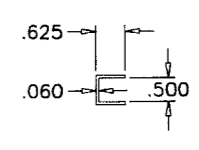
③ RAIL



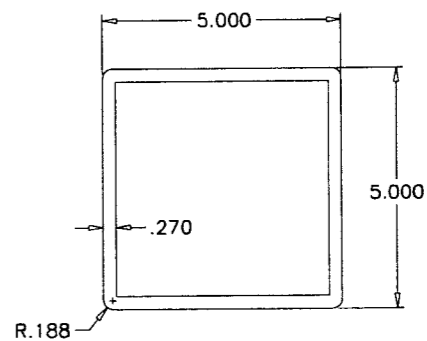
⑤ INTERLOCK



② CHANNEL



⑧ CHANNEL



① POST

LATTICE ACCENT 6" PRIVACY FENCE

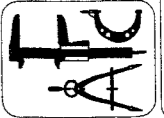
ITEM NO.	PART DESCRIPTION	LENGTH IN.
1	5" X 5" POST	108
2	7/8" U CHANNEL	48-7/8
3	1-1/2" X 5-1/2" RAIL	71-1/2
4	1-3/4" X 1-3/4" RAIL	71-1/2
5	7/8" X 6" T&G	52-1/4
6	5" HORSE CAP	N/A
8	5/8" U CHANNEL	8-1/4
9	1/2" LATTICE	N/A
10	1/2" FASTENERS	N/A

Engr: JAVAD AHMAD
CIVIL
FLA. PE. # 70592
C.A.N. 3538

JA
SEP 02 2010

Approved as complying with the
Florida Building Code
Date 10/06/2010
NOA# 10-0512.03
Miami Dade Product Control
Division
By *Helmy Adhikari*

AL-FAROOQ CORPORATION
ENGINEERS & PRODUCT DEVELOPMENT
1235 S.W. 87 AVE
MIAMI, FLORIDA 33174
TEL. (305) 264-8100 FAX. (305) 262-6978
FENCES\10-02WBP

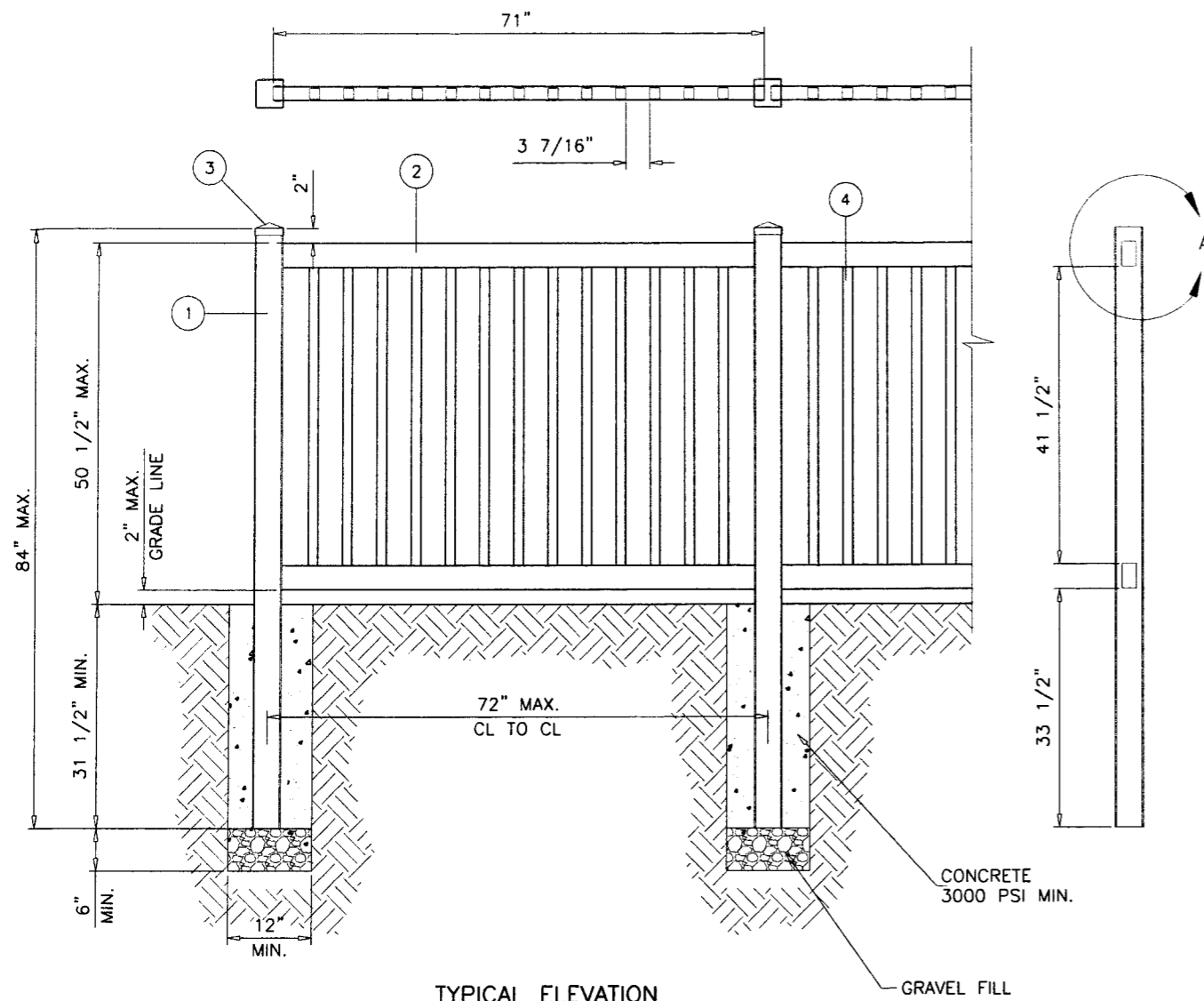


PVC PRIVACY FENCE SYSTEMS
WESTECH BUILDING PRODUCTS, INC.
7451 HIGHWAY 62 EAST
MOUNT VERNON, INDIANA. 47620
TEL. (812) 985-3628 FAX. (812) 985-2925

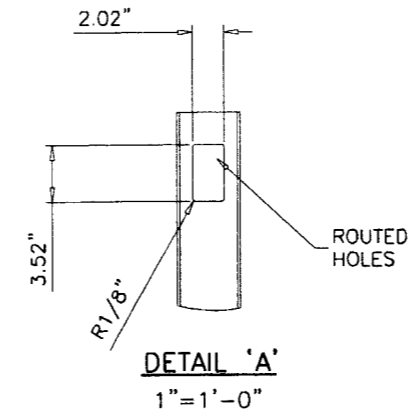
no.	date	by	description
A	09.02.10		REV. PER BCCO COMMENTS

revisions:
no. date by description
A 09.02.10 REV. PER BCCO COMMENTS

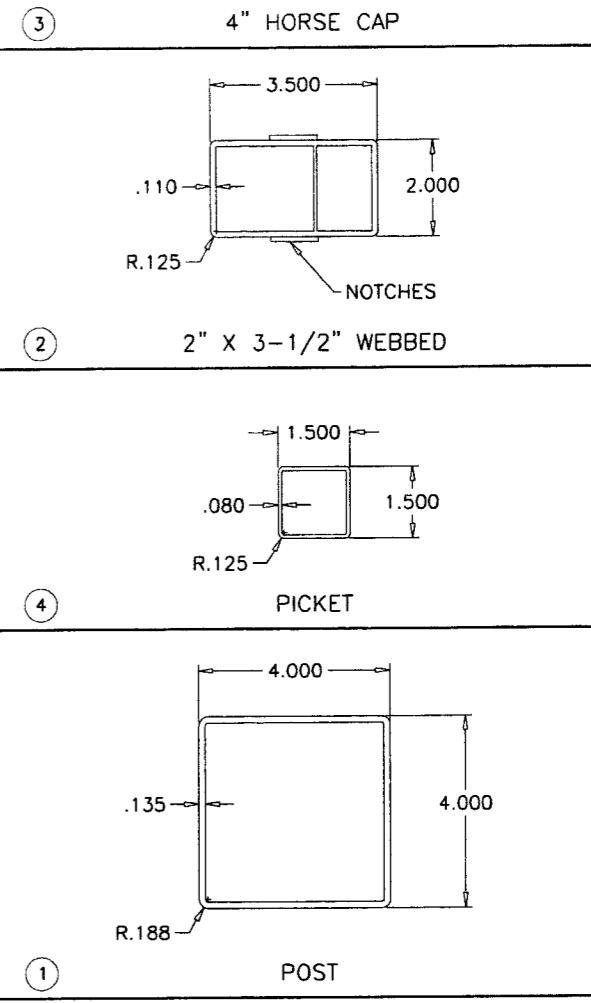
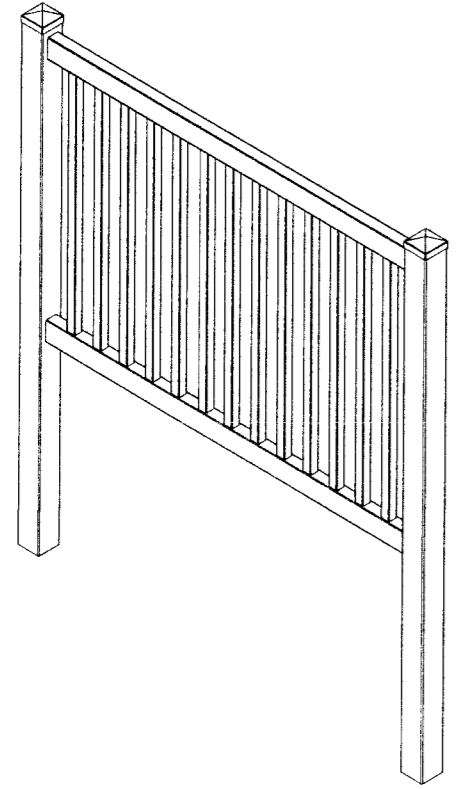
date: 04-09-10
scale: 1/4" = 1"
dr. by: HAMID
chk. by:
drawing no. 10-02
sheet 5 of 9



TYPICAL ELEVATION
1/2" = 1'-0"



DETAIL 'A'
1" = 1'-0"



CAPE COD FENCE

ITEM NO.	PART DESCRIPTION	LENGTH IN.
1	4" X 4" POST	84
2	2" X 3-1/2" WEBBED	71
3	4" HORSE CAP	71-1/2
4	1-1/2" X 1-1/2" PICKET	45-1/2

Engr: JAVAD AHMAD
CIVIL
FLA. PE # 70592
C.A.N. 3538

JA

SEP 02 2010

Approved as complying with the
Florida Building Code
Date 10/06/2010
NOA# 10-0512.03
Miami Dade Product Control
Division
By Halim A. M. Khan

AL-FAROOQ CORPORATION
ENGINEERS & PRODUCT DEVELOPMENT
1235 S.W. 87 AVE
MIAMI, FLORIDA 33174
TEL. (305) 264-8100 FAX. (305) 262-6978
FENCES\10-02WB

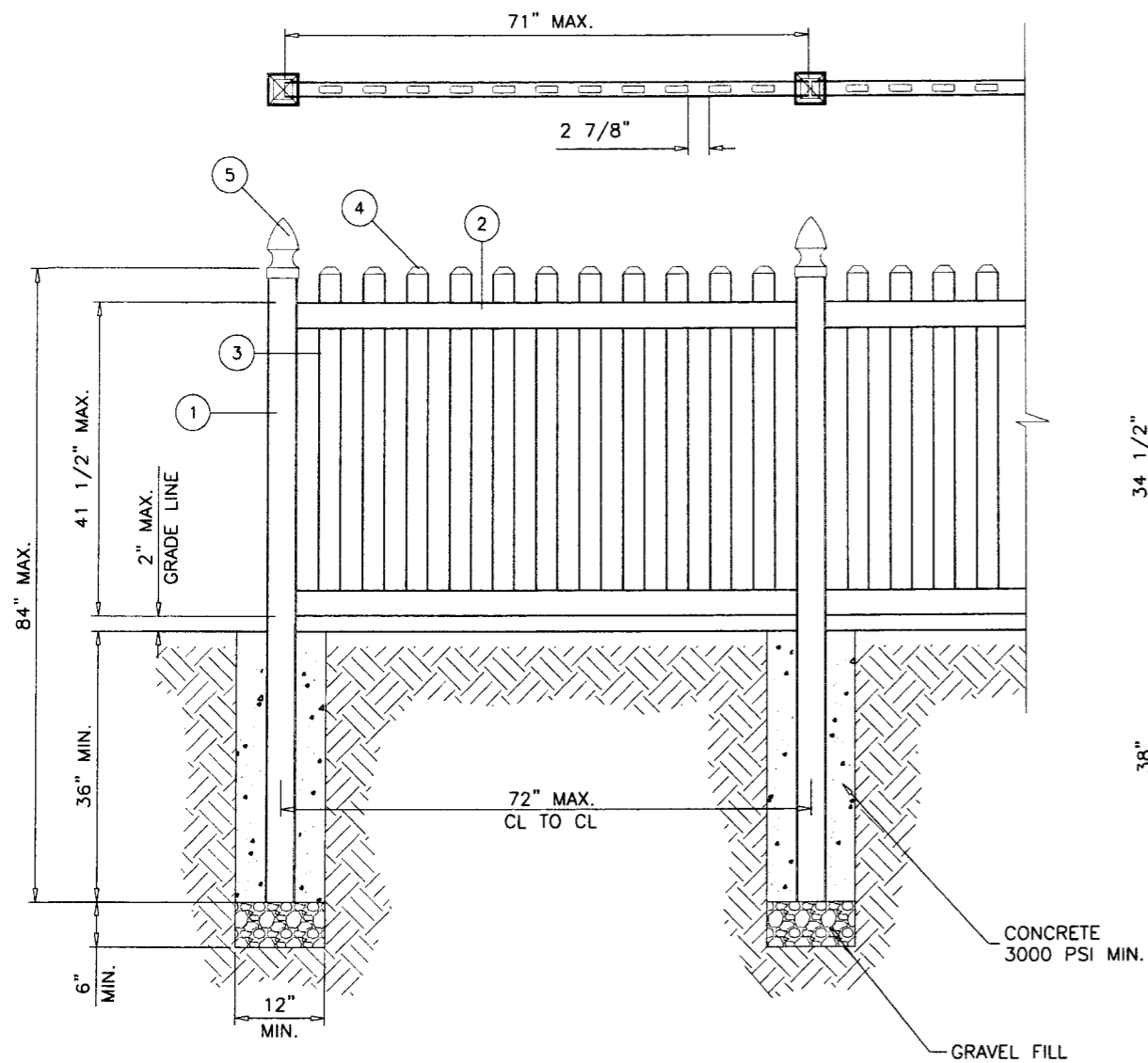
WESTECH BUILDING PRODUCTS, INC.
7451 HIGHWAY 62 EAST
MOUNT VERNON, INDIANA. 47620
TEL. (812) 985-3628 FAX. (812) 985-2925

PVC PRIVACY FENCE SYSTEMS

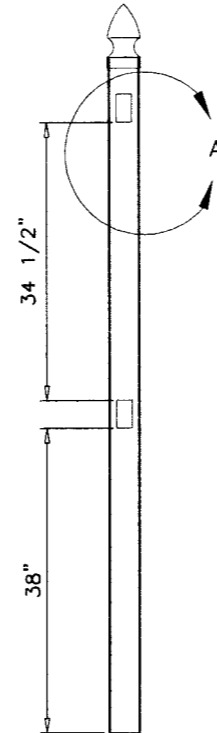
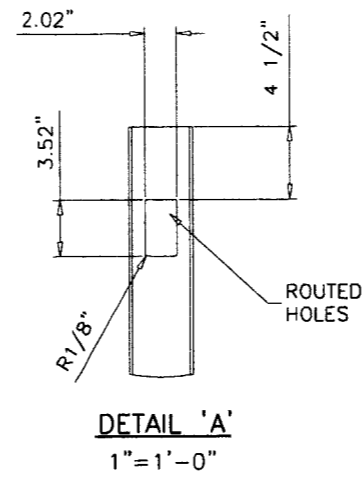
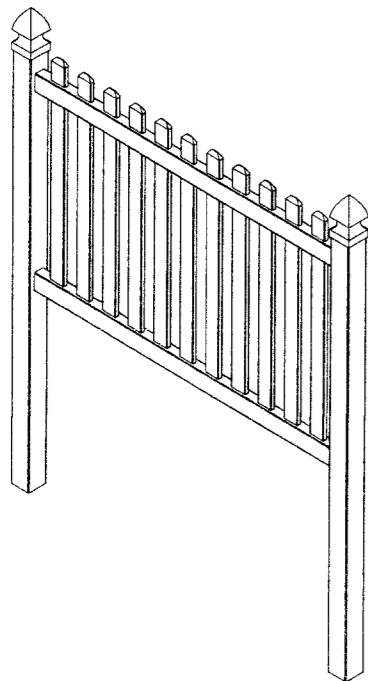
no	date	description	REV.	PER	BCCO	COMMENTS
A	09.02.10					

date: 04-09-10
scale: 1/4" = 1"
dr. by: HAMID
chk. by:

drawing no.
10-02
sheet 6 of 9



TYPICAL ELEVATION
1/2" = 1'-0"



Approved as complying with the
Florida Building Code
Date 10/06/2010
NOA# 10-0512.03
Miami Dade Product Control
Division
By *[Signature]*

KEYWEST PICKET FENCE

ITEM NO.	PART DESCRIPTION	LENGTH IN.
1	4" X 4" POST	84
2	2" X 3-1/2" RAIL	71
3	7/8" X 3" PICKET	45
4	7/8" X 3" CAP	N/A
5	4" GOTHIC CAP	N/A

Engr: JAVAD AHMAD
CIVIL
FLA. PE # 70592
C.A.N. 3538
[Signature]
SEP 02 2010

④ 7/8" X 3" CAP

⑤ 4" GOTHIC CAP

② 2" X 3-1/2" RAIL

③ 7/8" X 3"

① POST

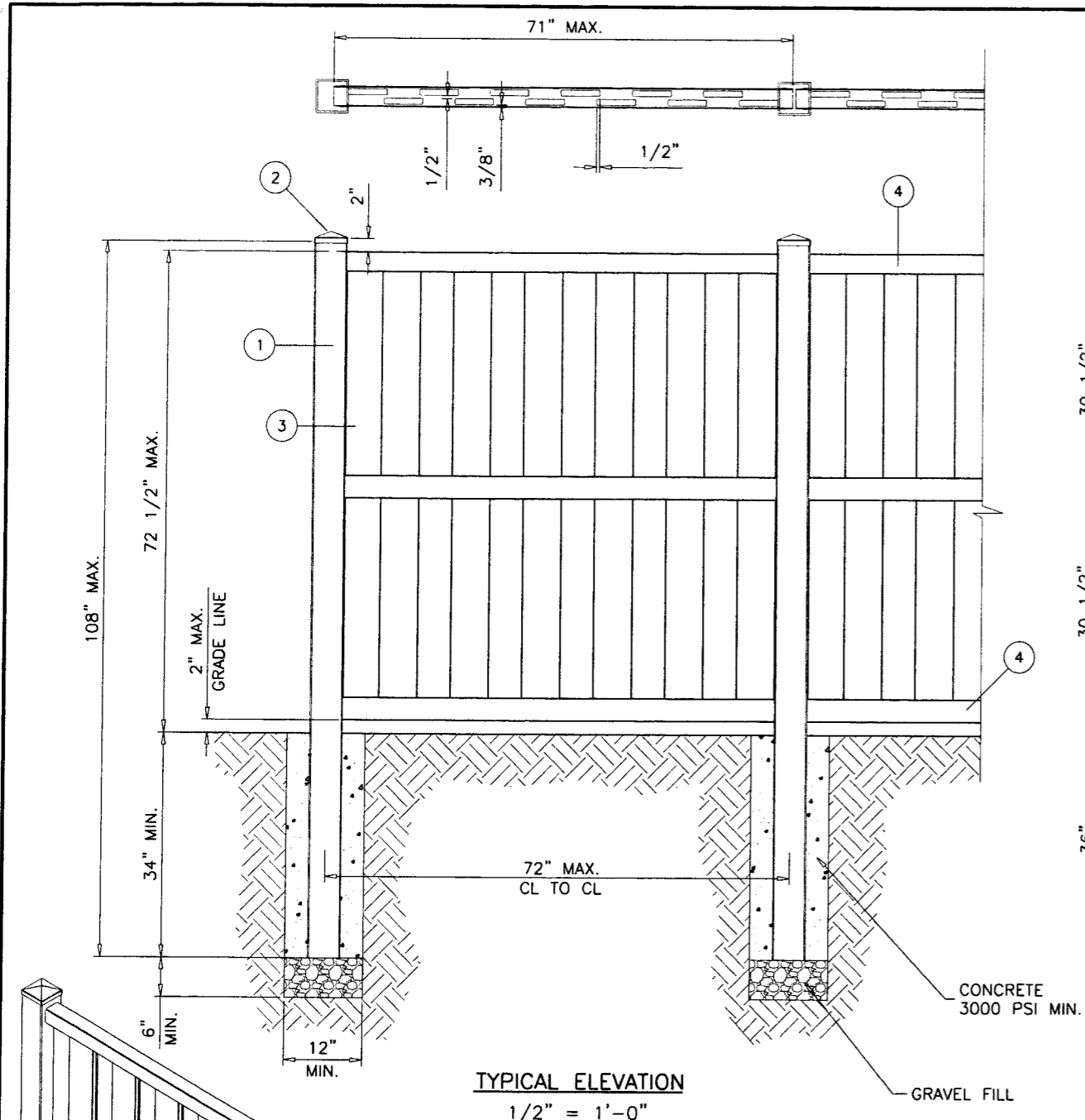
AL-FAROOQ CORPORATION
ENGINEERS & PRODUCT DEVELOPMENT
1235 S.W. 87 AVE
MIAMI, FLORIDA 33174
TEL. (305) 264-8100 FAX. (305) 262-6978
FENCES \ 10-02WBEP

PVC PRIVACY FENCE SYSTEMS
WESTECH BUILDING PRODUCTS, INC.
7451 HIGHWAY 62 EAST
MOUNT VERNON, INDIANA. 47620
TEL. (812) 985-3628 FAX. (812) 985-2925

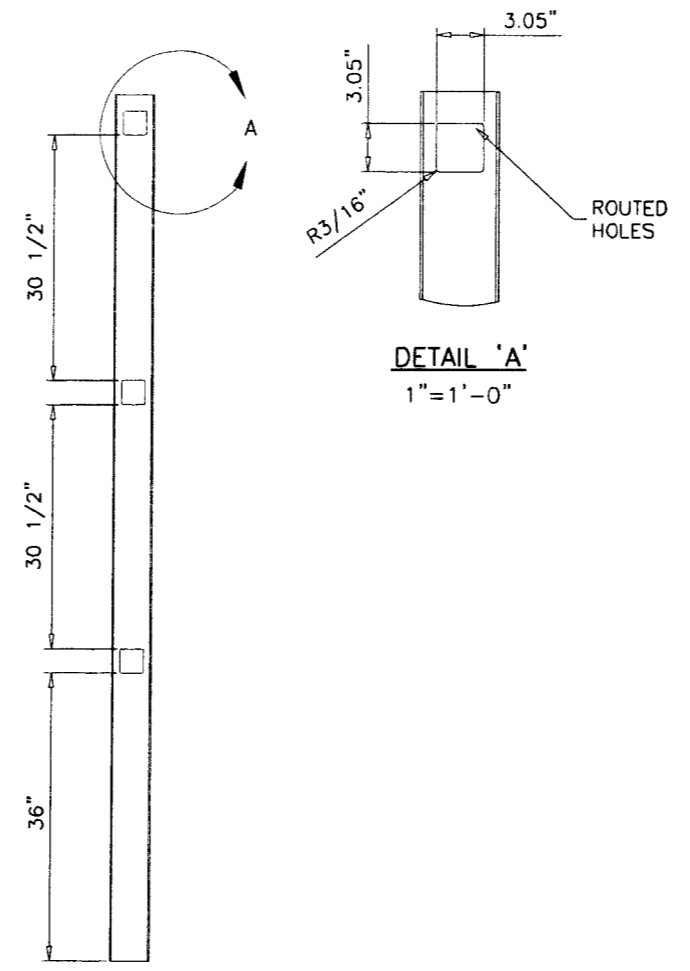
no	date	description	REV. PER	REVISIONS	COMMENTS
A	09.02.10				

date: 04-09-10
scale: 1/4" = 1"
dr. by: HAMID
chk. by:

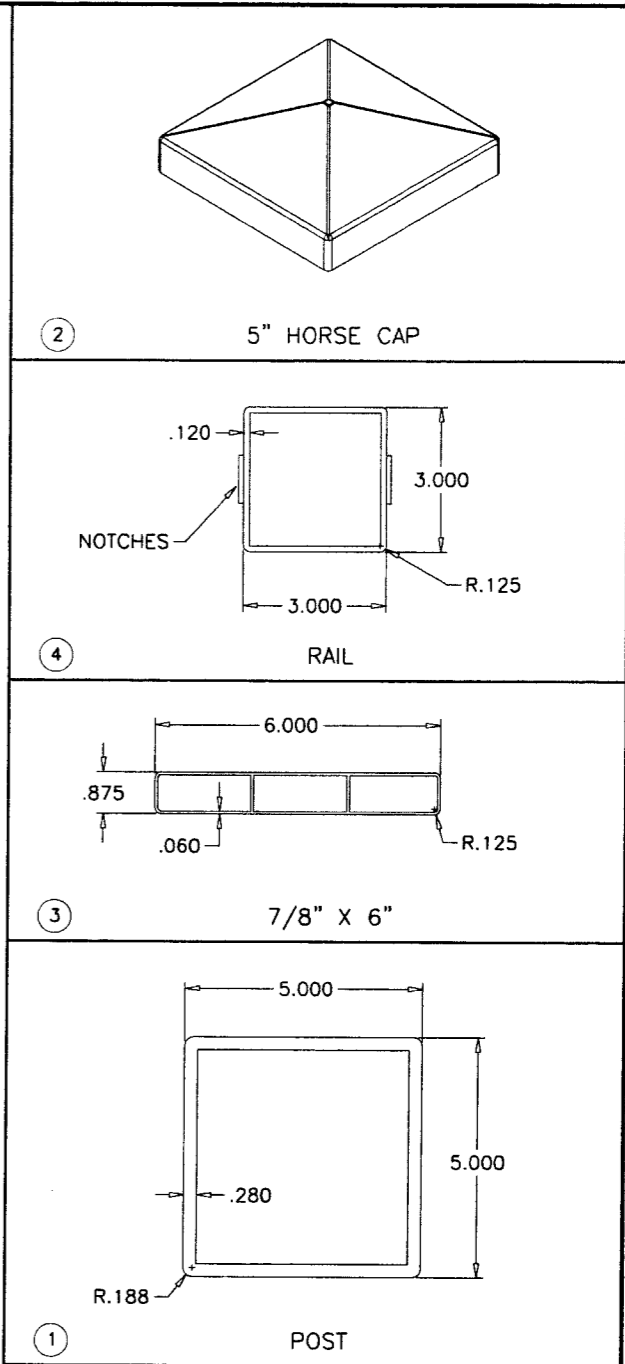
drawing no.
10-02
sheet 7 of 9



TYPICAL ELEVATION
1/2" = 1'-0"



DETAIL 'A'
1" = 1'-0"



SHADOW BOX FENCE

ITEM NO.	PART DESCRIPTION	LENGTH IN.
1	5" X 5" POST	108
2	5" HORSE CAP	N/A
3	7/8" X 6"	69-1/2
4	3" X 3" RAIL	71

Engr: JAVAD AHMAD
CIVIL
FLA. PE # 70592
C.A.N. 3538

JA

SEP 02 2010

Approved as complying with the
Florida Building Code
Date 10/06/2010
NOA# 16-0512-03
Miami Dade Product Control
Division:
By *Helmy A. Helmy*

AL-FAROOQ CORPORATION
ENGINEERS & PRODUCT DEVELOPMENT
1235 S.W. 87 AVE
MIAMI, FLORIDA 33174
TEL. (305) 264-8100 FAX. (305) 262-6978
FENCES\10-02WBP

ATC

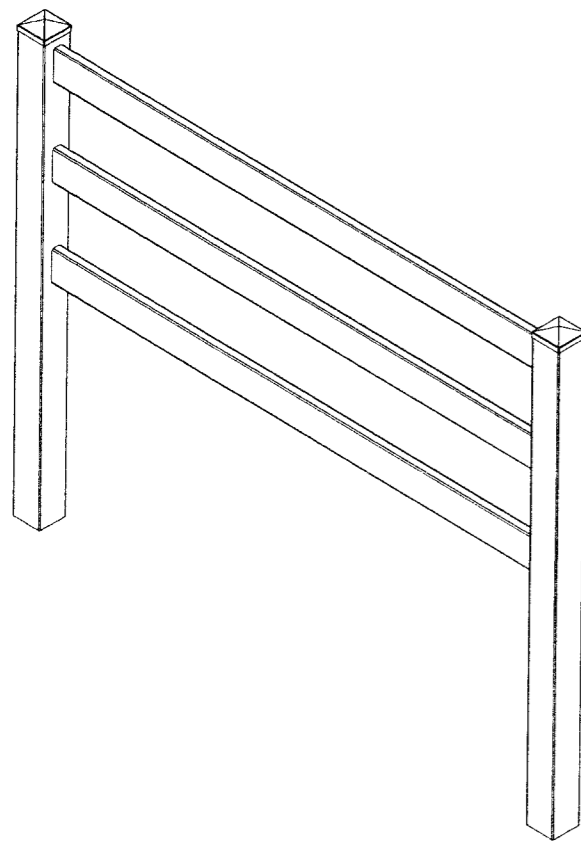
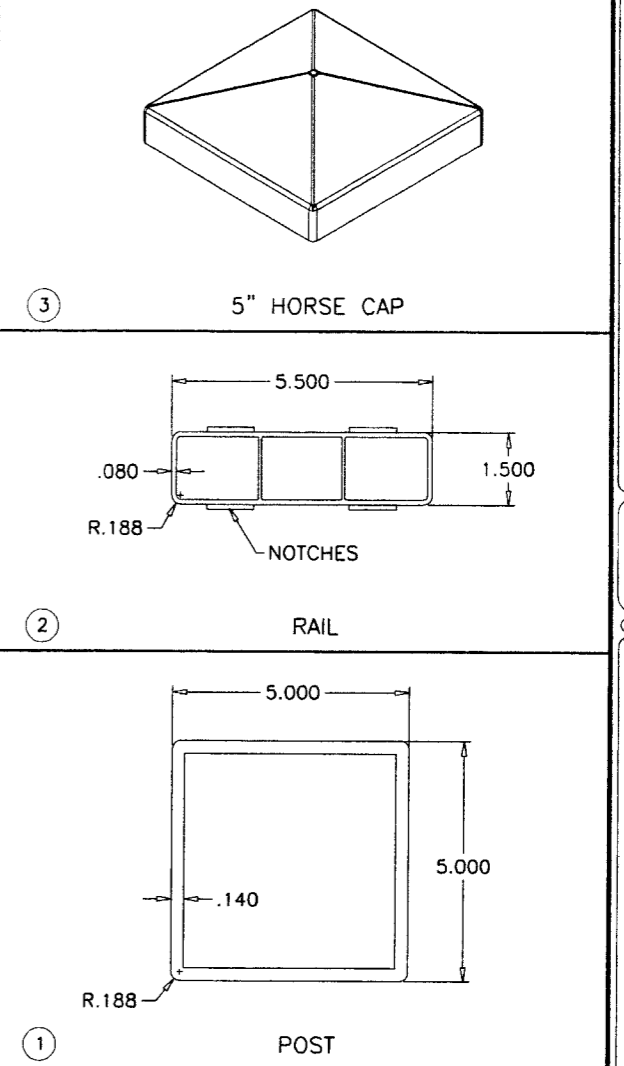
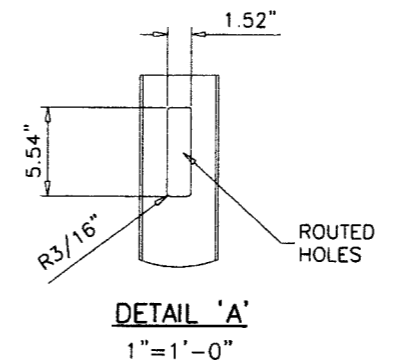
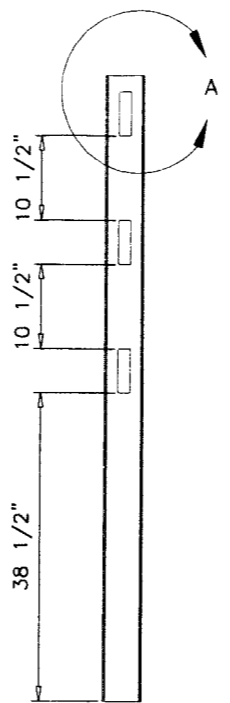
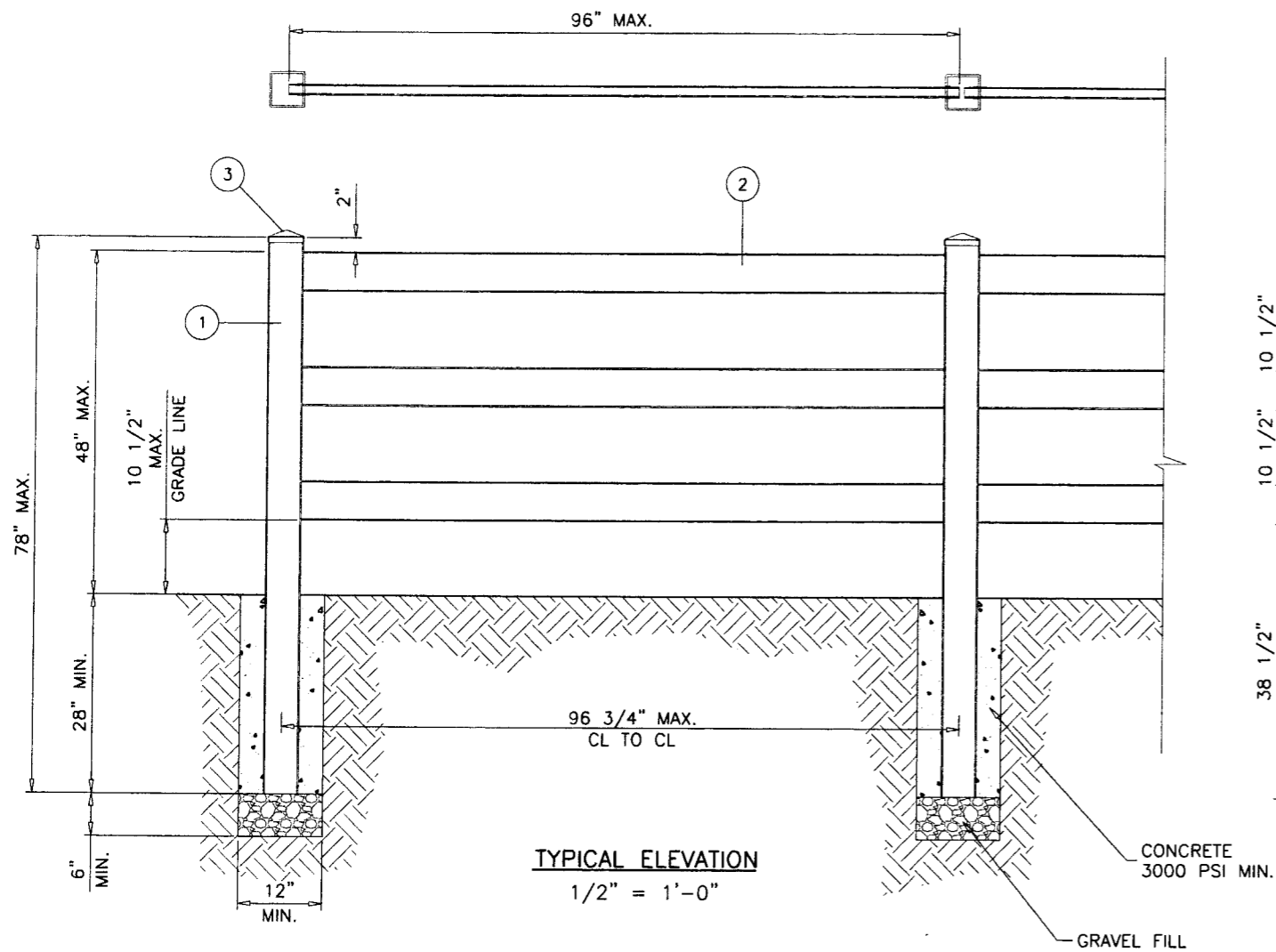
PVC PRIVACY FENCE SYSTEMS
WESTECH BUILDING PRODUCTS, INC.
7451 HIGHWAY 62 EAST
MOUNT VERNON, INDIANA. 47620
TEL. (812) 985-3628 FAX. (812) 985-2925

no	date	description	REV. PER	COMMENTS
A	09.02.10			

date: 04-09-10
scale: 1/4" = 1"
dr. by: HAMID
chk. by:

drawing no.
10-02

sheet 8 of 9



3 RAIL RANCH FENCE

ITEM NO.	PART DESCRIPTION	LENGTH IN.
1	5" X 5" POST	78
2	1-1/2" X 5-1/2" RAIL	96
3	5" HORSE CAP	N/A

Engr: JAVAD AHMAD
CIVIL
FLA. PE # 70592
C.A.N. 3538

J.A.
SEP 02 2010

Approved as complying with the
Florida Building Code
Date 10/06/2010
NOA# 10-0512.03
Miami Dade Product Control
Division
By *Helmy A. Helmy*

AL-FAROOQ CORPORATION
ENGINEERS & PRODUCT DEVELOPMENT
1235 S.W. 87 AVE
MIAMI, FLORIDA 33174
TEL. (305) 264-8100 FAX. (305) 262-6978
FENCES\10-02WBPP

WESTECH BUILDING PRODUCTS, INC.
7451 HIGHWAY 62 EAST
MOUNT VERNON, INDIANA. 47620
TEL. (812) 985-3628 FAX. (812) 985-2925

PVC PRIVACY FENCE SYSTEMS

no	date	by	description	REV. PER BCCO COMMENTS
A	09.02.10			

date: 04-09-10
scale: 1/4" = 1"
dr. by: HAMID
chk. by:

drawing no.
10-02

sheet 9 of 9